

**Moffat Specification**

Neo-Ceram glass hot Top  
The Stainless steel top inset with Neo Ceram glass panels provides a clean hot serving area.

Dry Heat  
Fan Assisted Hotcupboard

Power Rating  
2.22kw  
Complete with a 2m long cord set  
Removable Fan heating System Sahara Fan Model SF315

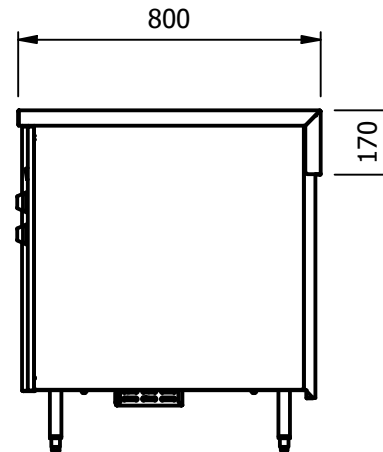
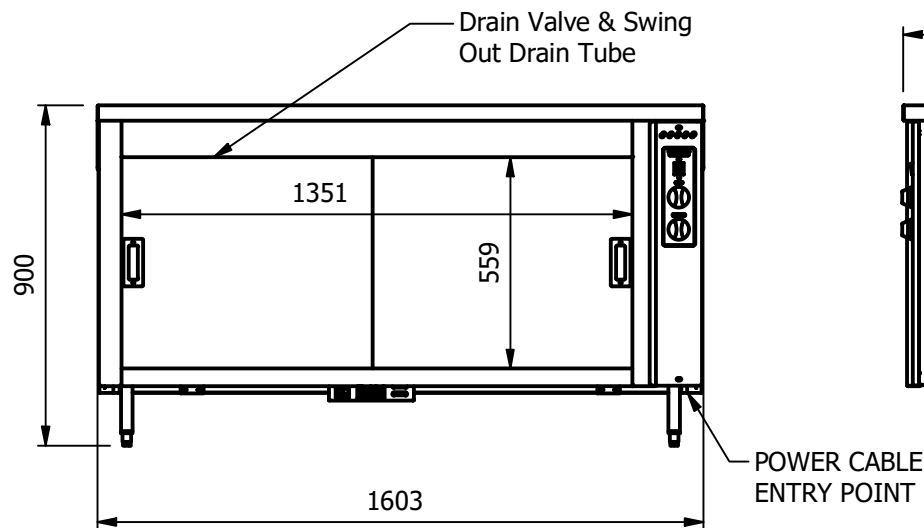
Materials  
1.2mm 304 Grade St/ Steel Top & Supports  
0.7mm 430 Grade St/ Steel Internal Structure  
GN 1/1 Grid Shelves with 30mm x 30mm tube supports

Dimensions  
Width - 1603mm  
Depth - 800mm  
Height - 900mm  
Weight - 135kg

Hot Surface Area  
1309mm x 530mm

Capacity of Hot Cupboard [usable inside space]  
Width - 1351mm  
Depth - 559mm  
Usable Height Bottom shelf - 210mm  
Usable Height Top Shelf - 195mm

50 covers & meals [10" plated meals stacked using plate covers]  
or  
190 off 10" plates stacked for heating  
or  
8 off 1/1GN pans side by side 150mm deep 4 on top 4 on bottom



ALL SHEET METAL DIMENSIONS ARE I/S (INSIDE SIZES) (UNLESS OTHERWISE STATED)

ALL DIMENSIONS IN (mm), TOLERANCE = LINEAR ± 0.5mm, ANGULAR ± 0.5mm (OR AS STATED). ALL SHARP EDGES TO BE REMOVED FROM SHEET METAL PARTS

|   |           |       |  |  |         |               |          |            |       |       |    |
|---|-----------|-------|--|--|---------|---------------|----------|------------|-------|-------|----|
| Product   | COUNTERS  |       |  | Product No   |         |               |          |            |       |       |    |
| Description   | CHT4-8    |       |  | <small>No reproduction or publication of this drawing may be made, and no article may be manufactured or assembled in accordance with this drawing without prior written consent. This prohibition is a term of any contract relating to this drawing. Rights reserved under the Copyright Act 1956 as amended by the Design Copyright Act 1968.</small> |         |               |          |            |       |       |    |
| Material/Finish   | Thickness |       |  | Desp/Date  |         |               |          |            |       |       |    |
| Legacy P/N  | Weight    | 135kg |  | Quote No.  | Dwg No. | CTRP-114098-1 | Issue    |            |       |       |    |
| Client  |           |       |  | SO Number  | N/A     |               | Drawn By | N.Raymen   |       |       |    |
| Client Project  |           |       |  | Approved By  |         |               | Date     | 28/06/2021 |       |       |    |
| E & R MOFFAT LTD, SEABEGS ROAD, BONNYBRIDGE, FK4 2BS, T: +44 (0)1324 812272, E: sales@ermoffat.co.uk, Web: www.ermoffat.co.uk |           |       |  |  |         |               | Scale    | 1 : 20     | Sheet | 1 / 2 | A4 |

