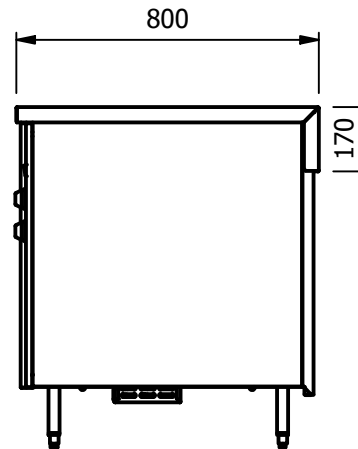
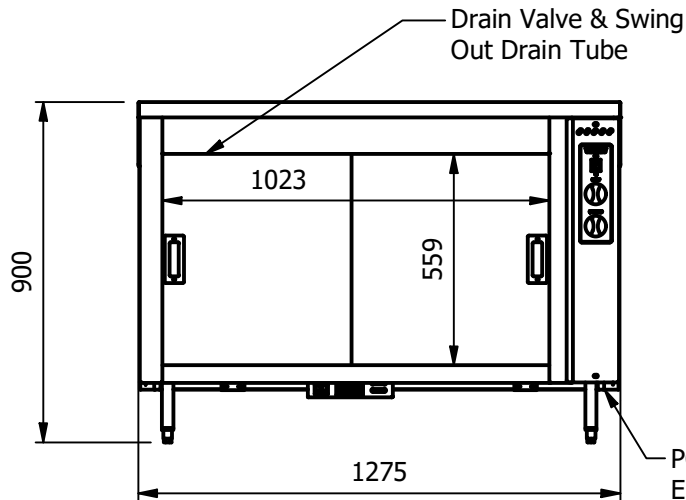


Neo-Ceram Hot Plates



Moffat Specification

Neo-Ceram glass hot Top
The Stainless steel top inset with Neo Ceram glass panels provides a clean hot serving area.

Dry Heat
Fan Assisted Hotcupboard

Power Rating
2.04kw
Complete with a 2m long cord set
Removable Fan heating System Sahara Fan Model SF315

Materials
1.2mm 304 Grade St/ Steel Top & Supports
0.7mm 430 Grade St/ Steel Internal Structure
GN 1/1 Grid Shelves with 30mm x 30mm tube supports

Dimensions
Width - 1275mm
Depth - 800mm
Height - 900mm
Weight - 105kg

Hot Surface Area
981mm x 531mm

Capacity of Hot Cupboard [usable inside space]
Width - 1023mm
Depth - 559mm
Usable Height Bottom shelf - 210mm
Usable Height Top Shelf - 195mm

35 covers & meals [10" plated meals stacked using plate covers]
or
133 off 10" plates stacked for heating
or
6 off 1/1GN pans side by side 150mm deep 3 on top 3 on bottom

ALL SHEET METAL DIMENSIONS ARE I/S (INSIDE SIZES) (UNLESS OTHERWISE STATED)

ALL DIMENSIONS IN (mm), TOLERANCE = LINEAR ± 0.5mm, ANGULAR ± 0.5mm (OR AS STATED). ALL SHARP EDGES TO BE REMOVED FROM SHEET METAL PARTS

Product	COUNTERS			Product No				
Description	CHT3-8			<small>No reproduction or publication of this drawing may be made, and no article may be manufactured or assembled in accordance with this drawing without prior written consent. This prohibition is a term of any contract relating to this drawing. Rights reserved under the Copyright Act 1956 as amended by the Design Copyright Act 1968.</small>				
Material/Finish	Thickness			Desp/Date				
Legacy P/N	Weight	105kg		Quote No.	Dwg No.	CTRP-114097-1	Issue	
Client				SO Number	N/A		Drawn By	N.Raymen
Client Project				Approved By			Date	28/06/2021
E & R MOFFAT LTD, SEABEGS ROAD, BONNYBRIDGE, FK4 2BS, T: +44 (0)1324 812272, E: sales@ermoffat.co.uk, Web: www.ermoffat.co.uk					Scale	1 : 20	Sheet	1 / 2
					A4			

