

**Moffat Specification**

Solid Stainless Steel Worktop  
Insulated for efficiency  
provides a clean serving area.

Dry Heat  
Fan Assisted Hotcupboard

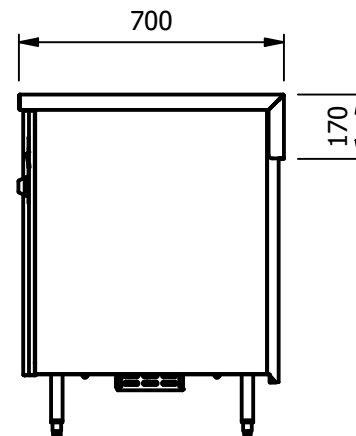
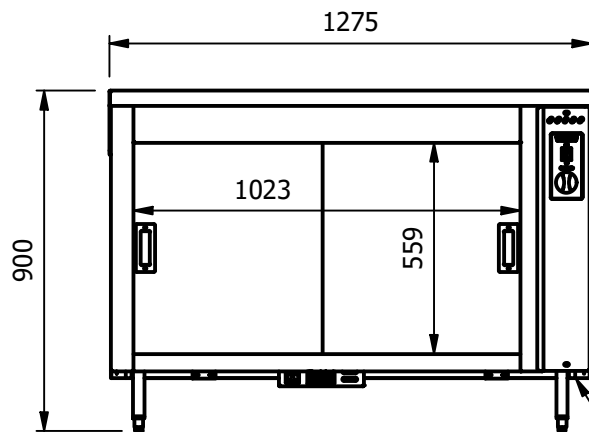
Dimensions  
Width - 1275mm  
Depth - 700mm  
Height - 900mm  
Weight - 78kg

Capacity of Hot Cupboard [usable inside space]  
Width - 1023mm  
Depth - 559mm  
Usable Height Bottom shelf - 210mm  
Usable Height Top Shelf - 195mm

35 covers & meals [10" plated meals stacked using plate covers]  
or  
133 off 10" plates stacked for heating  
or  
6 off 1/1GN pans side by side 150mm deep 3 on top 3 on bottom

Power Rating  
1.5kw.  
complete with a 2m long cord set & 13amp plug  
Removable Fan heating System Sahara Fan Model SF309

Materials  
1.2mm 304 Grade St/ Steel Top & Supports  
0.7mm 430 Grade St/ Steel Internal Structure  
GN 1/1 Grid Shelves with 30mm x 30mm tube supports



POWER CABLE  
ENTRY POINT

ALL SHEET METAL DIMENSIONS ARE I/S (INSIDE SIZES) (UNLESS OTHERWISE STATED)

ALL DIMENSIONS IN (mm), TOLERANCE = LINEAR ± 0.5mm, ANGULAR ± 0.5mm (OR AS STATED). ALL SHARP EDGES TO BE REMOVED FROM SHEET METAL PARTS

Product	COUNTERS			Product No					
Description	CHC3-7								
Material/Finish	Thickness		Desp/Date		<small>No reproduction or publication of this drawing may be made, and no article may be manufactured or assembled in accordance with this drawing without prior written consent. This prohibition is a term of any contract relating to this drawing. Rights reserved under the Copyright Act 1956 as amended by the Design Copyright Act 1968.</small>	Dwg No.	CTRP-113859-1	Issue	
Legacy P/N	Weight	78kg	Quote No.						
Client			SO Number	N/A	Drawn By	ABB		-	
Client Project			Approved By		Date	28/06/2021			
E & R MOFFAT LTD, SEABEGS ROAD, BONNYBRIDGE, FK4 2BS, T: +44 (0)1324 812272, E: sales@ermoffat.co.uk, Web: www.ermoffat.co.uk					Scale	1 : 20	Sheet	1 / 2	<b>A4</b>