

Moffat Specification

Bainmarie well "wet or dry"

Can Be used dry heat or wet heat using hot water and steam. The open bath is designed to hold Gastronorm pans and heats via solid state elements fitted externally on the base of the bath, additional excess residual hot air from the hot cupboard is also used to maintain temperature which gives energy saving efficiency.

Dry Heat

Fan Assisted Hotcupboard

Power Rating

3.94kw

Complete with a 2m long cord set and 32amp 1PH commando type plug
Removable Fan heating System Sahara Fan Model SF315

Materials

1.2mm 304 Grade St/ Steel Top & Supports
0.7mm 430 Grade St/ Steel Internal Structure
GN 1/1 Grid Shelves with 30mm x 30mm tube supports

Dimensions

Width - 1931mm
Depth - 700mm
Height - 900mm
Weight - 118kg

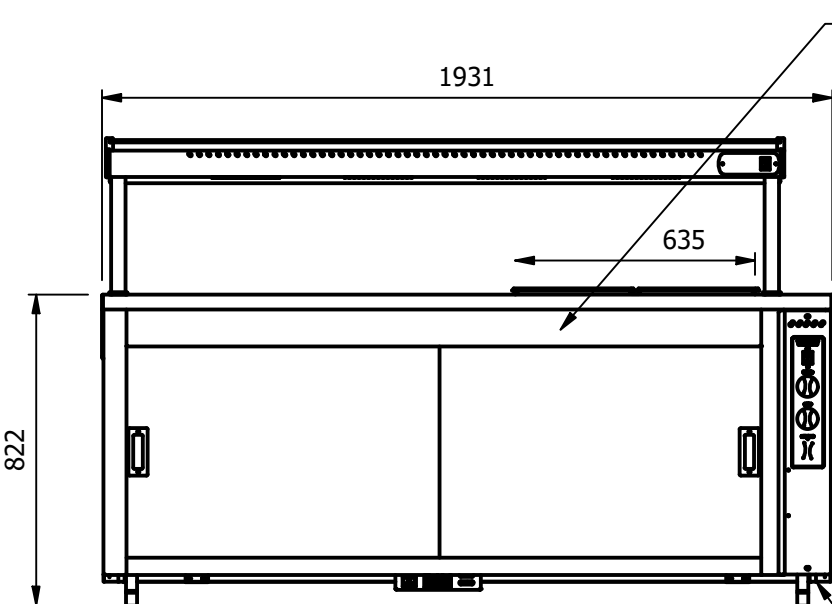
Capacity of Hot Cupboard [usable inside space]

Width - 1679mm
Depth - 559mm
Usable Height Bottom shelf - 210mm
Usable Height Top Shelf - 195mm

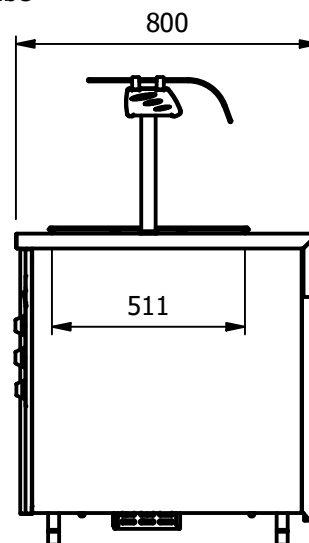
60 covers & meals [10" plated meals stacked using plate covers]

or
228 off 10" plates stacked for heating

or
10 off 1/1GN pans side by side 150mm deep 5 on top 5 on bottom



Drain Valve & Swing Out Drain Tube



POWER CABLE ENTRY POINT

ALL SHEET METAL DIMENSIONS ARE I/S (INSIDE SIZES) (UNLESS OTHERWISE STATED)

ALL DIMENSIONS IN (mm), TOLERANCE = LINEAR ± 0.5mm, ANGULAR ± 0.5mm (OR AS STATED). ALL SHARP EDGES TO BE REMOVED FROM SHEET METAL PARTS

Product	COUNTERS			Product No				<small>No reproduction or publication of this drawing may be made, and no article may be manufactured or assembled in accordance with this drawing without prior written consent. This prohibition is a term of any contract relating to this drawing. Rights reserved under the Copyright Act 1956 as amended by the Design Copyright Act 1968.</small>				
Description	CHB2HT3-8			Product No								
Material/Finish	Thickness			Desp/Date				Dwg No.	CTRP-139926-1	Issue		
Legacy P/N	Weight	118kg		Quote No.								
Client				SO Number	N/A			Drawn By	ABB			
Client Project				Approved By				Date	28/06/2021			
E & R MOFFAT LTD, SEABEGS ROAD, BONNYBRIDGE, FK4 2BS, T: +44 (0)1324 812272, E: sales@ermoffat.co.uk, Web: www.ermoffat.co.uk								Scale	1 : 20	Sheet	1 / 2	A4