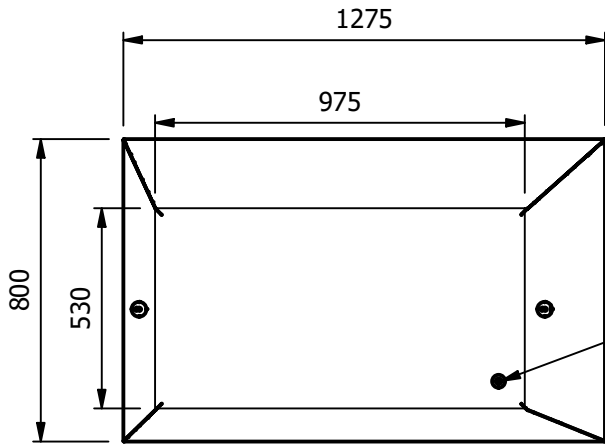


Important Design Parameters

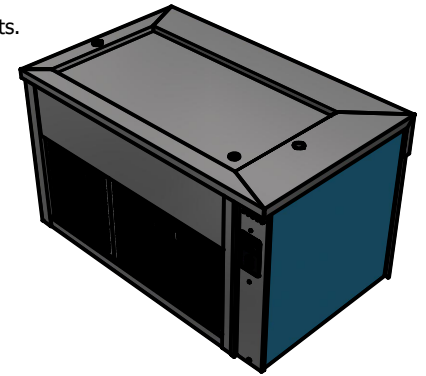
Allowances must be made for air venting.  
 The under slung compressor must have an unrestricted air flow.  
 Proper venting must be provided ensuring cool air from the room can be drawn in through the condensing coil and out the other side.

Warning

Do not install unit in draughty conditions where the air movement is greater than 0.2mtr/sec.  
 e.g. near entrance/exit doors, open windows, under air conditioning units or a ceiling mounted fan  
 Do not install units where there is high radiated heat, e.g. direct sunlight, room heaters, or bright spot lights.  
 Ambient room conditions must not exceed 25°C or a relative humidity of 60%.  
 Blocked vents will cause reduced refrigeration efficiency and lead to malfunction



Recessed Top with a drain and shut off valve.  
 The drain can be connected into a main waste system or alternatively simply place a suitable vessel under to catch the excess water after service



**Moffat Specification**

Chilled Frost Tops with contact refrigeration and self evaporation condensate system.

Dimensions

Width - 1275mm  
 Depth - 800mm  
 Height - 900mm  
 Weight - 140kg  
 Recess Top - 975mm x 530mm x 15mm

Power Rating

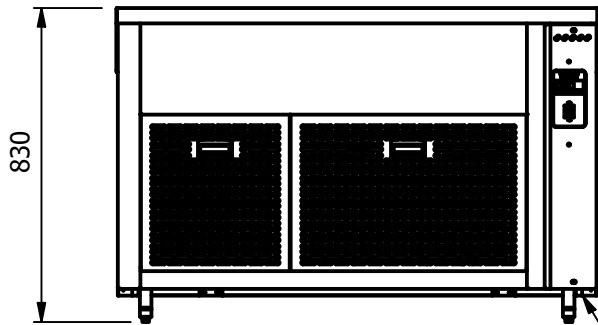
1.0kw  
 complete with a 2m long cord set & 13amp plug

Materials

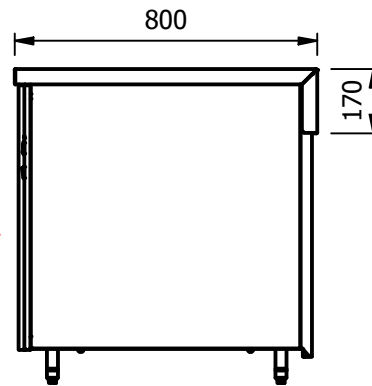
0.7mm 430 Grade St/Steel Gantry Hood  
 1.2mm 304 Grade St/ Steel Top & Supports  
 1.2mm 430 Grade St Steel Ancillary Parts

Gantry options

have LED Illumination and 6mm Tempered Glass




POWER CABLE ENTRY POINT



Warning  
 A clear space of 600mm must be left at the rear  
 <<AirFlow  
 AirFlow>>

ALL SHEET METAL DIMENSIONS ARE I/S (INSIDE SIZES) (UNLESS OTHERWISE STATED)

ALL DIMENSIONS IN (mm), TOLERANCE = LINEAR ± 0.5mm, ANGULAR ± 0.5mm (OR AS STATED). ALL SHARP EDGES TO BE REMOVED FROM SHEET METAL PARTS

Product	COUNTERS			Product No				
Description	CFT3-8			<small>© No reproduction or publication of this drawing may be made, and no article may be manufactured or assembled in accordance with this drawing without prior written consent. This prohibition is a term of any contract relating to this drawing. Rights reserved under the Copyright Act 1956 as amended by the Design Copyright Act 1968.</small>				
Material/Finish	Thickness		Desp/Date					
Legacy P/N	Weight	140kg	Quote No.					
Client				SO Number	N/A	Dwg No.	CTRP-118410-1	Issue
Client Project				Approved By		Drawn By	ABB	-
						Date	28/06/2021	
E & R MOFFAT LTD, SEABEGS ROAD, BONNYBRIDGE, FK4 2BS, T: +44 (0)1324 812272, E: sales@ermoffat.co.uk, Web: www.ermoffat.co.uk						Scale	1 : 20	Sheet
								1 / 2
								<b>A4</b>