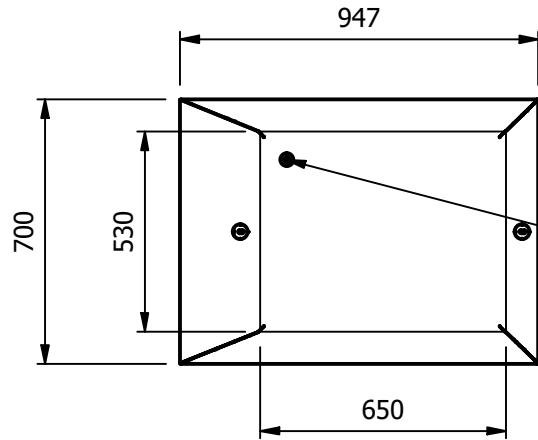


Important Design Parameters

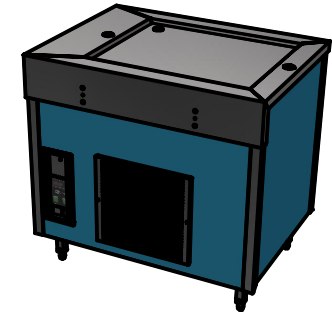
Allowances must be made for air venting.
 The under slung compressor must have an unrestricted air flow.
 Proper venting must be provided ensuring cool air from the room can be drawn in through the condensing coil and out the other side.

Warning

Do not install unit in draughty conditions where the air movement is greater than 0.2mtr/sec. e.g. near entrance/exit doors, open windows, under air conditioning units or a ceiling mounted fan
 Do not install units where there is high radiated heat, e.g. direct sunlight, room heaters, or bright spot lights.
 Ambient room conditions must not exceed 25°C or a relative humidity of 60%.
 Blocked vents will cause reduced refrigeration efficiency and lead to malfunction



Recessed Top with a drain and shut off valve.
 The drain can be connected into a main waste system or alternatively simply place a suitable vessel under to catch the excess water after service



Moffat Specification

Chilled Frost Tops with contact refrigeration and self evaporation condensate system.

Dimensions

Width - 947mm
 Depth - 700mm
 Height - 900mm
 Weight - 102kg
 Recess Top - 650mm x 530mm x 15mm

Power Rating

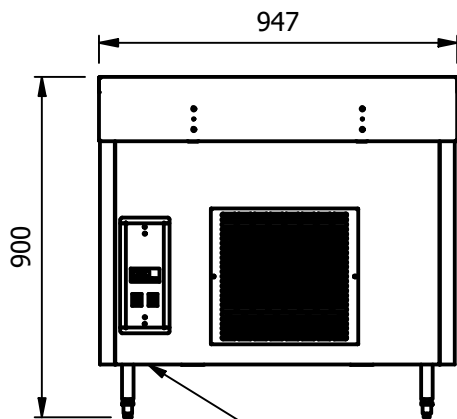
1.0kw
 complete with a 2m long cord set & 13amp plug

Materials

0.7mm 430 Grade St/Steel Gantry Hood
 1.2mm 304 Grade St/ Steel Top & Supports
 1.2mm 430 Grade St Steel Ancillary Parts

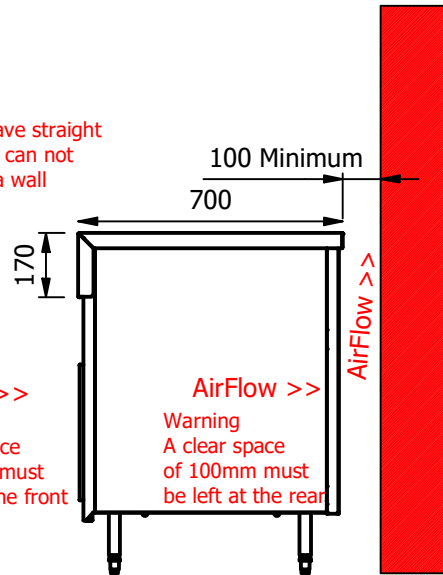
Gantry options

have LED Illumination and 6mm Tempered Glass



POWER CABLE ENTRY POINT

Note:- Size 2 models have straight through ventilation and can not be position up against a wall



AirFlow >>
 Warning
 A clear space of 600mm must be left at the front

AirFlow >>
 Warning
 A clear space of 100mm must be left at the rear

ALL SHEET METAL DIMENSIONS ARE I/S (INSIDE SIZES) (UNLESS OTHERWISE STATED)

ALL DIMENSIONS IN (mm), TOLERANCE = LINEAR ± 0.5mm, ANGULAR ± 0.5mm (OR AS STATED). ALL SHARP EDGES TO BE REMOVED FROM SHEET METAL PARTS

Product	COUNTERS			Product No					
Description	CFTFC2-7								
Material/Finish	Thickness			Desp/Date					
Legacy P/N	Weight	102kg		Quote No.	Dwg No.		CTRP-118700-1		
Client				SO Number	N/A		Drawn By	ABB	
Client Project				Approved By			Date	28/06/2021	
E & R MOFFAT LTD, SEABEGS ROAD, BONNYBRIDGE, FK4 2BS, T: +44 (0)1324 812272, E: sales@ermoffat.co.uk, Web: www.ermoffat.co.uk							Scale	1 : 20	
							Sheet	1 / 2	
								A4	

No reproduction or publication of this drawing may be made, and no article may be manufactured or assembled in accordance with this drawing without prior written consent. This prohibition is a term of any contract relating to this drawing. Rights reserved under the Copyright Act 1956 as amended by the Design Copyright Act 1968.

