

**Moffat Specification**

Dimensions

Width - 1603mm  
 Depth - 700mm  
 Height - 1454mm  
 Weight - 120kg

Gantry

2 off Quartz heat lamps 500w each

Bainmarie well for Vegetables and Sauces etc

Dry heat with a raised lip designed to hold Gastronorm pans.  
 Heats via residual heat from the hot cupboard fan and the carving pad element.  
 Note:- Pans and lids are supplied  
 Capacity:- Three GN1/3 pans with Lids and Two GN1/6 pans with lids.

Hotcupboard

Dry heat fan assisted hot cupboard  
 Capacity:- [usable inside space]  
 Width - 950mm  
 Depth - 555mm  
 Usable Height Bottom shelf - 204mm  
 Usable Height Top Shelf - 245mm

Carvery Pads

Two spiked heavy duty pads with an anti drip edge all round for carving and display  
 Capacity:- 2 off 420mm x 328mm

Plate Dispenser

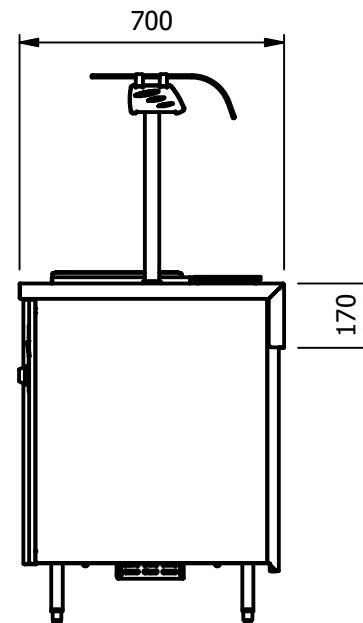
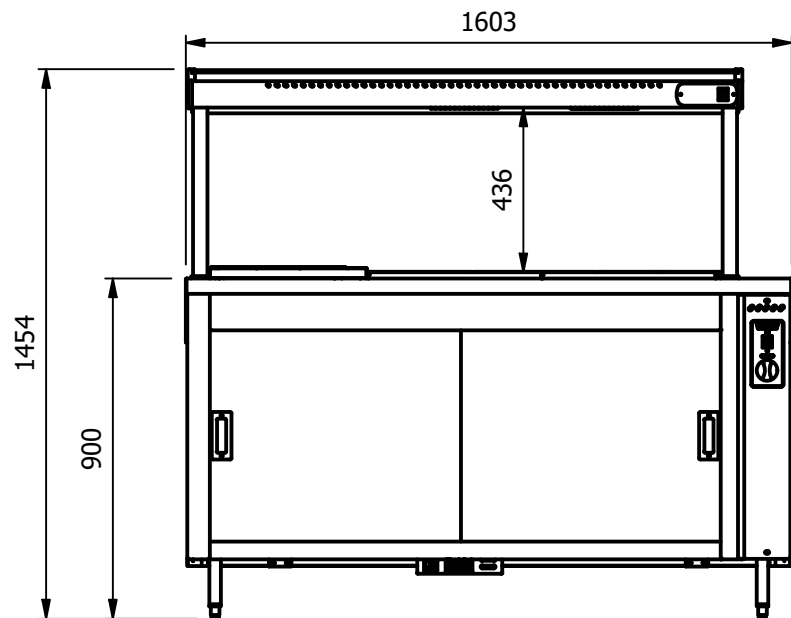
Pop up self leveling system complete with a lid.  
 Heats via residual heat from the hot cupboard fan and the carving pad element.  
 Capacity:- Can accommodate any size or shaped plate or dish that will fit within a 300mm [12"] Square. Holds around 65 plates depending on thickness and shape

Power Rating

2.9kw

Materials

1.2mm 304 Grade St/ Steel Top & Supports  
 0.7mm 430 Grade St/ Steel Internal Structure  
 GN 1/1 Grid Shelves with 30mm x 30mm tube supports



ALL SHEET METAL DIMENSIONS ARE I/S (INSIDE SIZES) (UNLESS OTHERWISE STATED)

ALL DIMENSIONS IN (mm), TOLERANCE = LINEAR ± 0.5mm, ANGULAR ± 0.5mm (OR AS STATED). ALL SHARP EDGES TO BE REMOVED FROM SHEET METAL PARTS

Product	COUNTERS			Product No					
Description	CCS4-7								
Material/Finish	Thickness			Desp/Date					
Legacy P/N	Weight	120kg		Quote No.					
Client				SO Number	N/A		Dwg No.	CTRP-122235-1	
Client Project				Approved By			Drawn By	ABB	
							Date	28/06/2021	
E & R MOFFAT LTD, SEABEGS ROAD, BONNYBRIDGE, FK4 2BS, T: +44 (0)1324 812272, E: sales@ermoffat.co.uk, Web: www.ermoffat.co.uk							Scale	1 : 20	
							Sheet	1 / 2	
								A4	

No reproduction or publication of this drawing may be made, and no article may be manufactured or assembled in accordance with this drawing without prior written consent. This prohibition is a term of any contract relating to this drawing. Rights reserved under the Copyright Act 1956 as amended by the Design Copyright Act 1968.

