

Moffat Specification

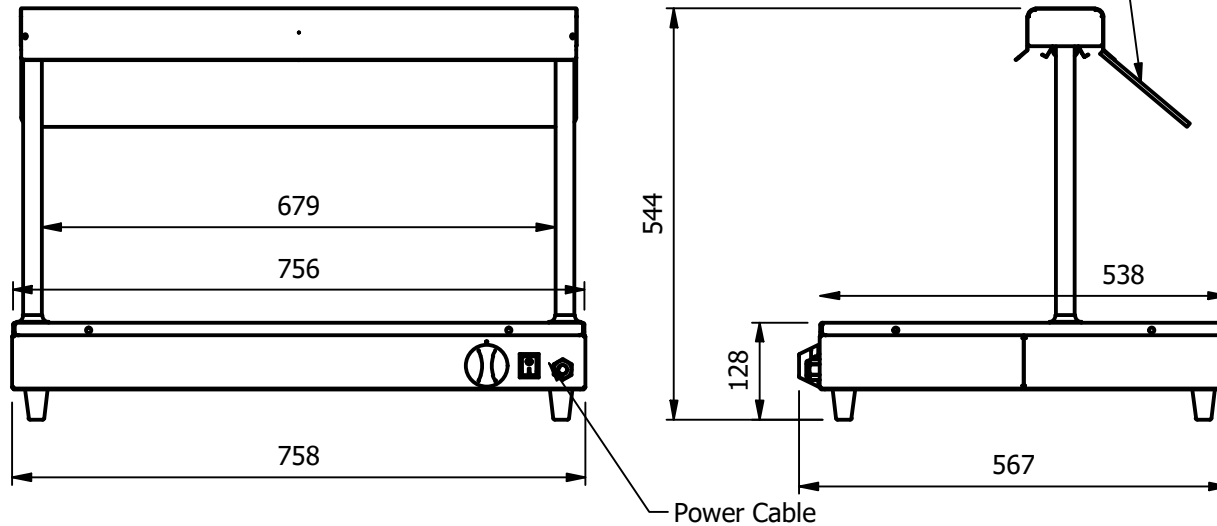
Hot Top
 Anodised alloy top
 Thermostatic rotary controlled between 30 to 110°C

Dimensions
 Width - 758mm
 Depth - 567mm
 Height - 544mm
 Weight - 11kg

Power Rating
 0.97kw
 complete with a 2m long cord set & 13amp plug


Materials
 0.7mm 430 Grade St/Steel
 1.2mm Galvanized Steel Ancillary Parts
 2.0mm Anodised alloy top

Installation
 Tabletop



ALL SHEET METAL DIMENSIONS ARE I/S (INSIDE SIZES) (UNLESS OTHERWISE STATED)

ALL DIMENSIONS IN (mm), TOLERANCE = LINEAR ± 0.5mm, ANGULAR ± 0.5mm (OR AS STATED). ALL SHARP EDGES TO BE REMOVED FROM SHEET METAL PARTS

Product	BEL TOPS				 The Catering Equipment Company	<small>No reproduction or publication of this drawing may be made, and no article may be manufactured or assembled in accordance with this drawing without prior written consent. This prohibition is a term of any contract relating to this drawing. Rights reserved under the Copyright Act 1956 as amended by the Design Copyright Act 1968.</small>	
Description	BTG2					Dwg No.	BEL-004869
Material/Finish	Thickness	Weight	11kg	Desp/Date	Quote No.	Drawn By	ABB
Client				SO Number	STD	Date	23/04/2018
Client Project				Approved By		Scale	1 : 10
E & R MOFFAT LTD, SEABEGS ROAD, BONNYBRIDGE, FK4 2BS, T: +44 (0)1324 812272, E: sales@ermoffat.co.uk, Web: www.ermoffat.co.uk						Sheet	1 / 2
							A4