

**Moffat Specification**

Hot Top

Anodised alloy top with burger slide adaptor  
Thermostatic rotary controlled between 30 to 110°C

Dimensions

Width - 1086mm  
Depth - 581mm  
Height - 544mm  
Weight - 18kg

Power Rating

1.69kw  
complete with a 2m long cord set & 13amp plug

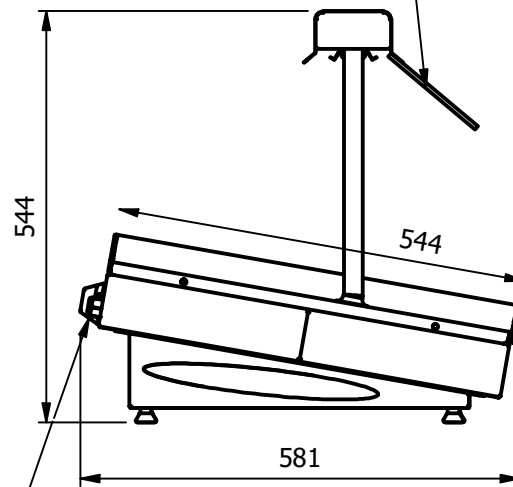
Materials

0.7mm 430 Grade St/Steel  
1.2mm Galvanized Steel Ancillary Parts  
2.0mm Anodised alloy top

Installation

Tabletop


Perspex Sneeze Guard



Power Cable

ALL SHEET METAL DIMENSIONS ARE I/S (INSIDE SIZES) (UNLESS OTHERWISE STATED)

ALL DIMENSIONS IN (mm), TOLERANCE = LINEAR ± 0.5mm, ANGULAR ± 0.5mm (OR AS STATED). ALL SHARP EDGES TO BE REMOVED FROM SHEET METAL PARTS

Product	BEL TOPS				 The Catering Equipment Company	
Description	BTB3					
Material/Finish	Thickness	Weight	Desp/Date	Quote No.	Dwg No.	
		18kg			BEL-004886	
Client			SO Number	STD	Drawn By	
Client Project			Approved By		ABB	
E & R MOFFAT LTD, SEABEGS ROAD, BONNYBRIDGE, FK4 2BS, T: +44 (0)1324 812272, E: sales@ermoffat.co.uk, Web: www.ermoffat.co.uk					Date	24/04/2018
					Scale	1 : 10
					Sheet	1 / 2
						A4

No reproduction or publication of this drawing may be made, and no article may be manufactured or assembled in accordance with this drawing without prior written consent. This prohibition is a term of any contract relating to this drawing. Rights reserved under the Copyright Act 1956 as amended by the Design Copyright Act 1968.