

Moffat Specification

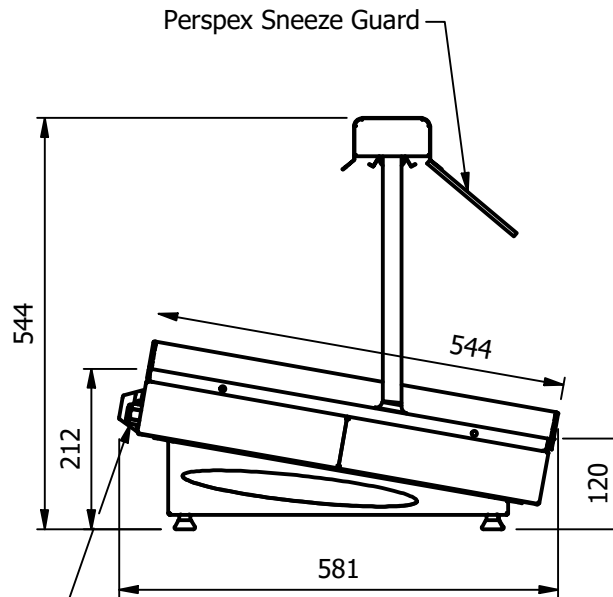
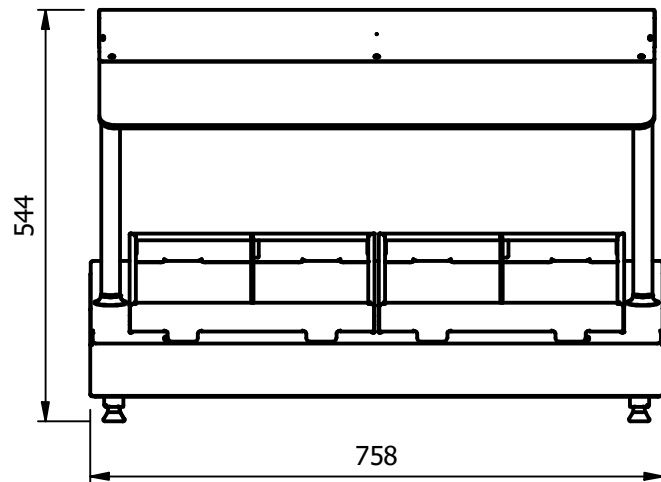
Hot Top
Anodised alloy top with burger slide adaptor
Thermostatic rotary controlled between 30 to 110°C

Dimensions
Width - 758mm
Depth - 581mm
Height - 544mm
Weight - 12kg

Power Rating
0.97kw
complete with a 2m long cord set & 13amp plug


Materials
0.7mm 430 Grade St/Steel
1.2mm Galvanized Steel Ancillary Parts
2.0mm Anodised alloy top

Installation
Tabletop



ALL SHEET METAL DIMENSIONS ARE I/S (INSIDE SIZES) (UNLESS OTHERWISE STATED)

ALL DIMENSIONS IN (mm), TOLERANCE = LINEAR ± 0.5mm, ANGULAR ± 0.5mm (OR AS STATED). ALL SHARP EDGES TO BE REMOVED FROM SHEET METAL PARTS

Product	BEL TOPS				<small>No reproduction or publication of this drawing may be made, and no article may be manufactured or assembled in accordance with this drawing without prior written consent. This prohibition is a term of any contract relating to this drawing. Rights reserved under the Copyright Act 1956 as amended by the Design Copyright Act 1968.</small>	 The Catering Equipment Company			
Description	BTB2								
Material/Finish	Thickness	Weight	12kg	Desp/Date	Dwg No.	BEL-004885	Issue		
Client				Quote No.	Drawn By	ABB	-		
Client Project				SO Number	Date	23/04/2018			
E & R MOFFAT LTD, SEABEGS ROAD, BONNYBRIDGE, FK4 2BS, T: +44 (0)1324 812272, E: sales@ermoffat.co.uk, Web: www.ermoffat.co.uk				Approved By	Scale	1 : 10	Sheet	1 / 2	A4