

Moffat Specification

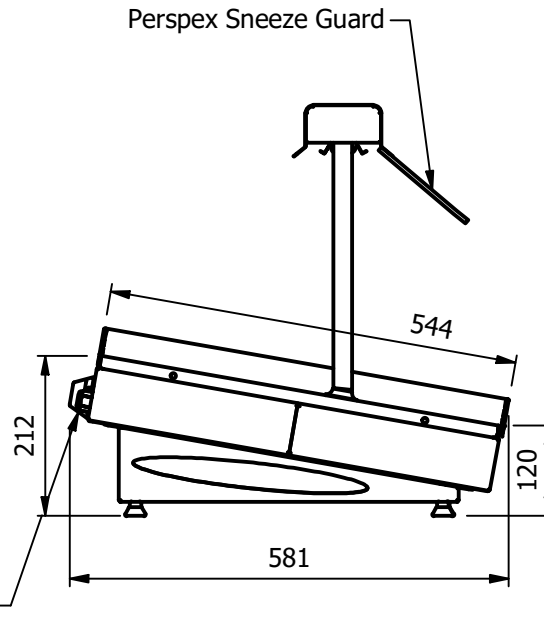
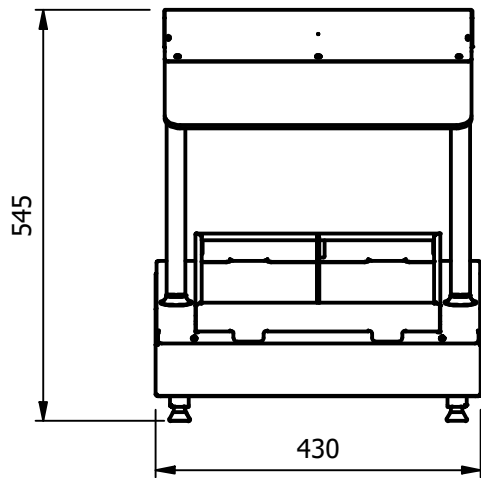
Hot Top
 Anodised alloy top with burger slide adaptor
 Thermostatic rotary controlled between 30 to 110°C

Dimensions
 Width - 430mm
 Depth - 581mm
 Height - 544mm
 Weight - 7kg

Power Rating
 0.92kw
 complete with a 2m long cord set & 13amp plug


Materials
 0.7mm 430 Grade St/Steel
 1.2mm Galvanized Steel Ancillary Parts
 2.0mm Anodised alloy top

Installation
 Tabletop



ALL SHEET METAL DIMENSIONS ARE I/S (INSIDE SIZES) (UNLESS OTHERWISE STATED)

ALL DIMENSIONS IN (mm), TOLERANCE = LINEAR ± 0.5mm, ANGULAR ± 0.5mm (OR AS STATED). ALL SHARP EDGES TO BE REMOVED FROM SHEET METAL PARTS

| | | | | | | | |
|---|-----------|--------|-----|-------------|---|--|------------|
| Product | BEL TOPS | | | |  The Catering Equipment Company | <small>No reproduction or publication of this drawing may be made, and no article may be manufactured or assembled in accordance with this drawing without prior written consent. This prohibition is a term of any contract relating to this drawing. Rights reserved under the Copyright Act 1956 as amended by the Design Copyright Act 1968.</small> | |
| Description | BTB1 | | | | | Dwg No. | BEL-004884 |
| Material/Finish | Thickness | Weight | 7kg | Desp/Date | Quote No. | Drawn By | ABB |
| Client | | | | SO Number | STD | Date | 23/04/2018 |
| Client Project | | | | Approved By | | Scale | 1 : 10 |
| E & R MOFFAT LTD, SEABEGS ROAD, BONNYBRIDGE, FK4 2BS, T: +44 (0)1324 812272, E: sales@ermoffat.co.uk, Web: www.ermoffat.co.uk | | | | | | Sheet | 1 / 2 |
| | | | | | | | A4 |