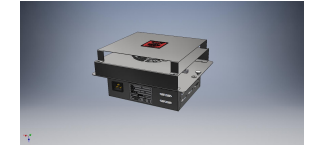


Sahara Fan Model SF319



**Moffat Specification**

Dry Heat  
Fan Assisted Hotcupboard

Dimensions

Length - 1124mm  
Depth - 665mm (715mm with folded tray rail)  
Height - 900mm  
Weight - 63kg

Capacity of Hot Cupboard [usable inside space]

length - 981mm  
Depth - 538mm  
Usable Height Bottom shelf - 204mm  
Usable Height Top Shelf - 265mm

36 covers & meals [10" plated meals stacked using plate covers]  
or  
108 off 10" plates stacked for heating  
or  
6 off 1/1GN pans side by side 150mm deep 3 on top 3 on bottom

Power Rating

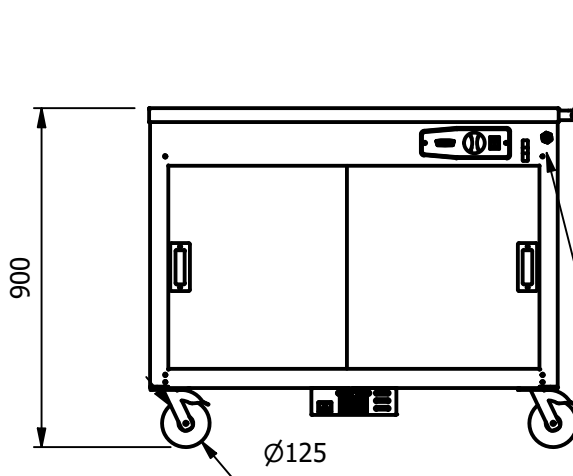
1.9kw with no gantry, 2.34Kw with heated gantry.  
complete with a 2m long cord set & 13amp plug  
Removable Fan heating System Sahara Fan Model SF319

Materials

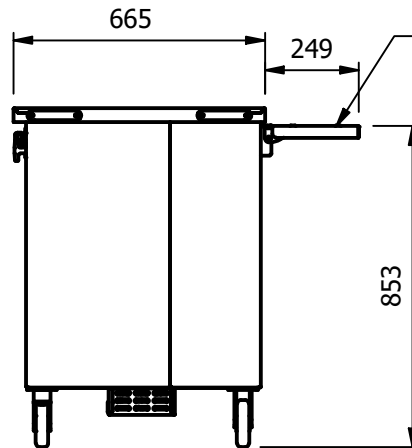
1.2mm 304 Grade St/ Steel Top & Supports  
0.7mm 430 Grade St/ Steel Internal Structure  
GN 1/1 Grid Shelves with 30mm x 30mm tube supports

Installation

All swivel castors, two braked



Push pull handles on operators right hand side



Optional Tray Slide

POWER CABLE ENTRY POINT

ALL SHEET METAL DIMENSIONS ARE I/S (INSIDE SIZES) (UNLESS OTHERWISE STATED)

ALL DIMENSIONS IN (mm), TOLERANCE = LINEAR ± 0.5mm, ANGULAR ± 0.5mm (OR AS STATED). ALL SHARP EDGES TO BE REMOVED FROM SHEET METAL PARTS

Product	FOCUS			Product No								
Description	*** 3FHCM ***											
Material/Finish	Thickness			Desp/Date								
Legacy P/N	Weight	63kg		Quote No.	Dwg No.		UMP-085930-1		Issue			
Client				SO Number	STANDARD		Drawn By	N.Raymen				
Client Project				Approved By			Date	19/01/2021				
E & R MOFFAT LTD, SEABEGS ROAD, BONNYBRIDGE, FK4 2BS, T: +44 (0)1324 812272, E: sales@ermoffat.co.uk, Web: www.ermoffat.co.uk							Scale	1 : 20		Sheet	1 / 2	A4

No reproduction or publication of this drawing may be made, and no article may be manufactured or assembled in accordance with this drawing without prior written consent. This prohibition is a term of any contract relating to this drawing. Rights reserved under the Copyright Act 1956 as amended by the Design Copyright Act 1968.

