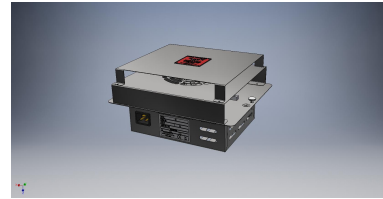


Sahara Fan Model SF309



Moffat Specification

Bainmarie well

Dry heat

The open top with raised lip is designed to hold Gastronorm pans and heats via a fan heating cell fitted inside the well.

Dry Heat

Fan Assisted Hotcupboard

Dimensions

Width - 1176mm

Depth - 661mm

Height - 940mm (work top 900mm)

Weight - 42kg

Capacity of Bainmarie

Three GN1/1 pans up to 150mm deep

[Note:-pans are not supplied, available at extra cost]

Power Rating

0.9kw

complete with a 2m long cord set & 13amp plug

Removable Fan heating System Sahara Fan Model SF309

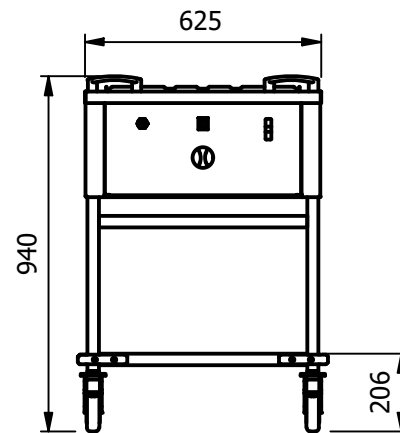
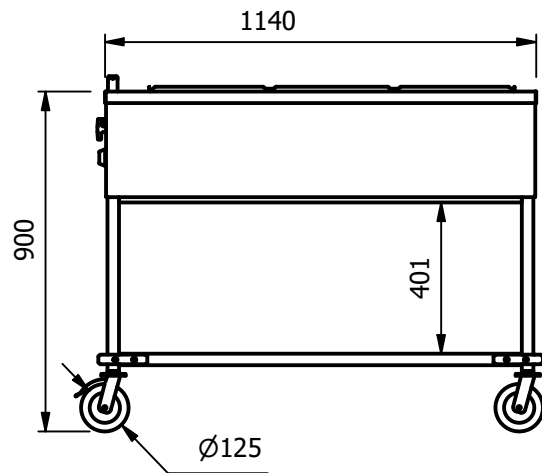
Materials

1.2mm 304 Grade St/ Steel Top & Supports

0.7mm 430 Grade St/ Steel Internal Structure

Installation

All swivel castors, two braked



ALL SHEET METAL DIMENSIONS ARE I/S (INSIDE SIZES) (UNLESS OTHERWISE STATED)

ALL DIMENSIONS IN (mm), TOLERANCE = LINEAR ± 0.5mm, ANGULAR ± 0.5mm (OR AS STATED). ALL SHARP EDGES TO BE REMOVED FROM SHEET METAL PARTS

| | | | | | | |
|---|------------|------|-------------|------------|--|-----------|
| Product | VERSICARTE | | | Product No |  The Catering Equipment Company | |
| Description | VMBM3 | | | | | |
| Material/Finish | Thickness | | Desp/Date | | <small>No reproduction or publication of this drawing may be made, and no article may be manufactured or assembled in accordance with this drawing without prior written consent. This prohibition is a term of any contract relating to this drawing. Rights reserved under the Copyright Act 1956 as amended by the Design Copyright Act 1968.</small> | |
| Legacy P/N | Weight | 42kg | Quote No. | Dwg No. | | |
| Client | | | SO Number | STD | VCP-077840 | |
| Client Project | | | Approved By | | Issue | |
| E & R MOFFAT LTD, SEABEGS ROAD, BONNYBRIDGE, FK4 2BS, T: +44 (0)1324 812272, E: sales@ermoffat.co.uk, Web: www.ermoffat.co.uk | | | | | Scale | 1 : 20 |
| | | | | | Sheet | 1 / 2 |
| | | | | | | A4 |