

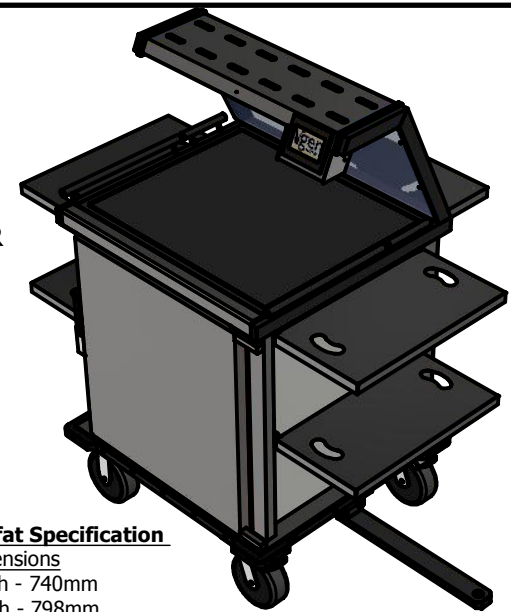
Optional Tray Slide - Code V1TS

Optional End Shelves Code - VES

Optional End Shelf With Waste Bag Operators Right hand - Code VVFR

Optional End Shelf With Waste Bag Operators Left hand - Code VVFL

Optional Tow Bar and Hitch
Code - VTB



Moffat Specification

Dimensions

Width - 740mm
Depth - 798mm
Height - 1338mm
Weight - 130kg

Power Rating

2.9 kw.
complete with a 2m long cord set & 13amp plug.

Materials

1.2mm 304 & 430 Grade St/ Steel Top & Supports.
0.7 & 1.2mm 430 Grade St Steel Ancillary Parts.
Plastic Coated Steel Front and Side panels.
1.0mm Aluminium Inner Structure.
6mm Perspex Full Front Screen.
Neo-Ceram Hot Top Area 700mm x 590mm.
LED Illumination.

Fully Insulated Compartment.

Mobility

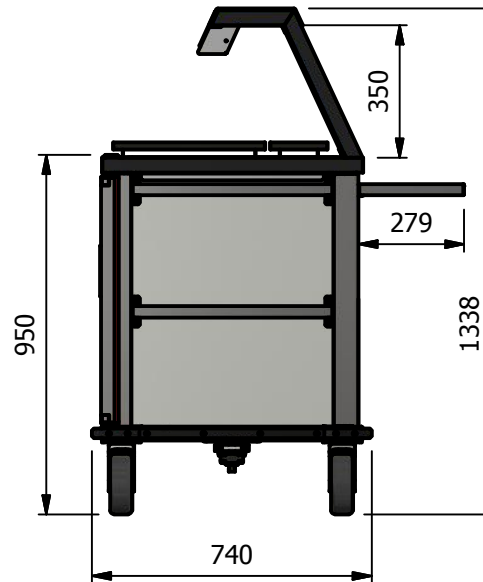
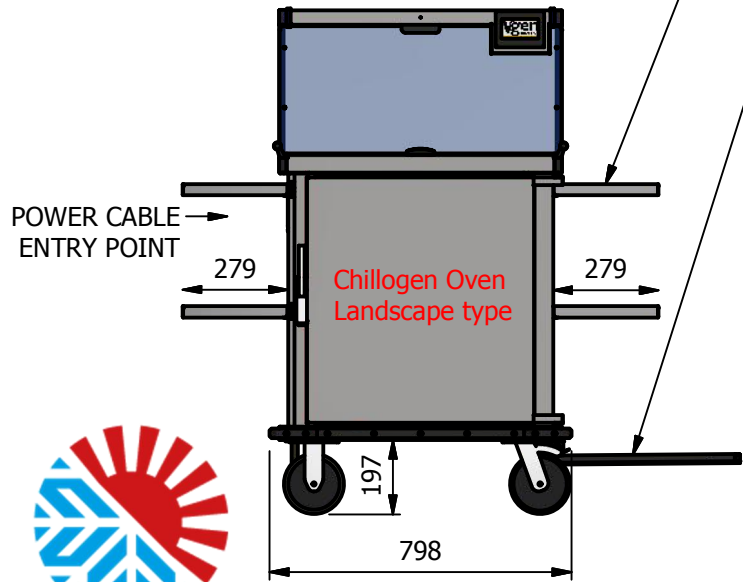
Castors :- 2 Swivel Type With Brakes, 2 Fixed Direction.

Control

Fully Programmably For 24/7 Operation.
Three Set Meal Programmes With
Boost, Hold, Pre heat, & Cleaning Functions.

Oven

Chillogen Compartment
Capacity 98lites
8off Gn1/1 Grid shelf positions @ 71mm pitch



ALL SHEET METAL DIMENSIONS ARE I/S (INSIDE SIZES) (UNLESS OTHERWISE STATED)

ALL DIMENSIONS IN (mm), TOLERANCE = LINEAR ± 0.5mm, ANGULAR ± 0.5mm (OR AS STATED). ALL SHARP EDGES TO BE REMOVED FROM SHEET METAL PARTS

Product	VGEN 2018			Product No		 The Catering Equipment Company			
Description	V1C								
Material/Finish	Thickness			Desp/Date		<small>No reproduction or publication of this drawing may be made, and no article may be manufactured or assembled in accordance with this drawing without prior written consent. This prohibition is a term of any contract relating to this drawing. Rights reserved under the Copyright Act 1956 as amended by the Design Copyright Act 1968.</small>			
Legacy P/N	Weight	130kg		Quote No.					
Client				SO Number	N/A	Dwg No.	VGEN-038431	Issue	
Client Project				Approved By		Drawn By	ABB		
E & R MOFFAT LTD, SEABEGS ROAD, BONNYBRIDGE, FK4 2BS, T: +44 (0)1324 812272, E: sales@ermoffat.co.uk, Web: www.ermoffat.co.uk						Date	18/06/2018		
						Scale	1 : 20	Sheet	1 / 4
									A4