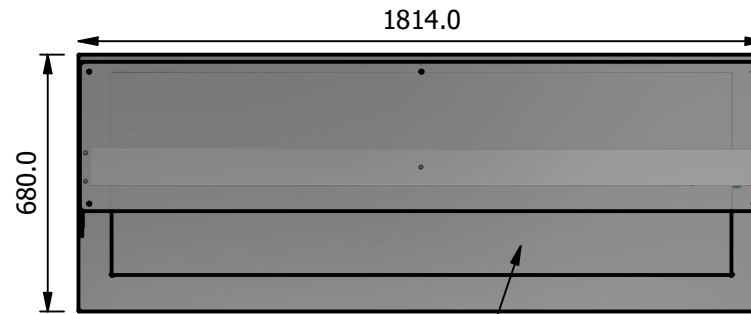
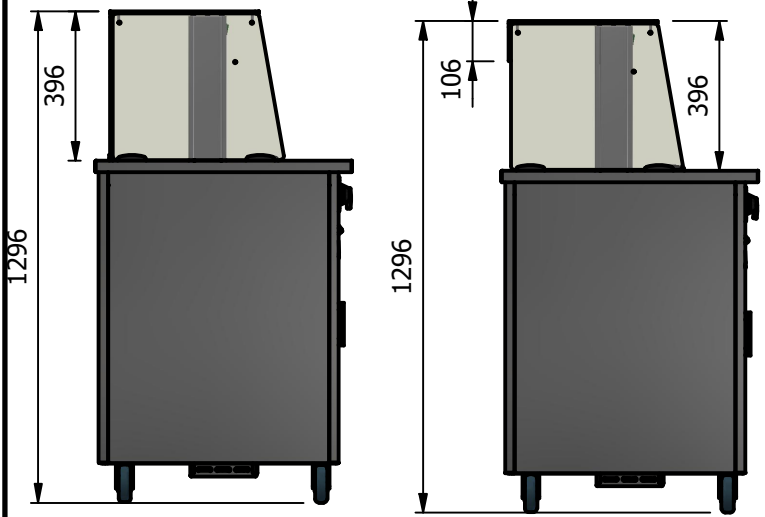


NOTE:- Serving height for children up to 12 years of age. This model is available with a work top height of 800mm and a Trayslide height of 773mm. Please add "B" to the end of the product code.

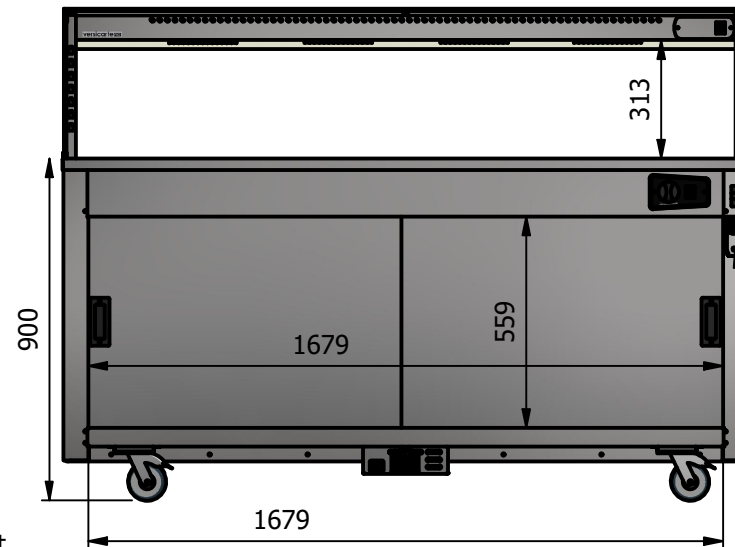


Stainless Steel Hot Top Area
1656 x 522



Square Glass Closed Front

Square Glass Open Front



Moffat Specification

Solid hot Top

The Stainless Steel recessed top provides a clean hot serving area, via a solid state element fitted internally below, additional excess residual hot air from the hot cupboard is also used to maintain temperature which gives energy saving efficiency.

Dry Heat

Fan Assisted Hotcupboard

Dimensions

Width - 1814mm

Depth - 680mm

Height - 900mm

Weight - 112kg



Sahara Fan Model SF309

Area of hot top

1656mm x 522mm

Capacity of Hot Cupboard [usable inside space]

Width - 1679mm

Depth - 555mm

Usable Height Bottom shelf - 204mm

Usable Height Top Shelf - 245mm

60 covers & meals [10" plated meals stacked using plate covers] or
228 off 10" plates stacked for heating
or
10 off 1/1GN pans side by side 150mm deep 5 on top 5 on bottom

Power Rating

1.90kw with no gantry, 2.78Kw with heated gantry.

complete with a 2m long cord set & 13amp plug

Removable Fan heating System Sahara Fan Model SF309

Materials

1.2mm 304 Grade St/ Steel Top & Supports

0.7mm 430 Grade St/ Steel Internal Structure

GN 1/1 Grid Shelves with 30mm x 30mm tube supports

Installation

All swivel castors, two braked

POWER CABLE
ENTRY POINT

ALL SHEET METAL DIMENSIONS ARE I/S (INSIDE SIZES) (UNLESS OTHERWISE STATED)

ALL DIMENSIONS IN (mm), TOLERANCE = LINEAR ± 0.5mm, ANGULAR ± 0.5mm (OR AS STATED). ALL SHARP EDGES TO BE REMOVED FROM SHEET METAL PARTS

Product	VERSICARTE		Product No	N/A		<p>The Catering Equipment Company</p>		
Description	*** VC5HTSSL *** Square Glass Options		<small>No reproduction or publication of this drawing may be made, and no article may be manufactured or assembled in accordance with this drawing without prior written consent. This prohibition is a term of any contract relating to this drawing. Rights reserved under the Copyright Act 1956 as amended by the Design Copyright Act 1968.</small>					
Material/Finish	Thickness		Desp/Date		Dwg No.	VCP-066052		
Legacy P/N	Weight	112kg	Quote No.		Drawn By	ABB		
Client			SO Number	STANDARD	Date	04/07/2023		
Client Project			Approved By		Scale	1 : 20		
E & R MOFFAT LTD, SEABEGS ROAD, BONNYBRIDGE, FK4 2BS, T: +44 (0)1324 812272, E: sales@ermoffat.co.uk, Web: www.ermoffat.co.uk						Sheet	1 / 2	A4