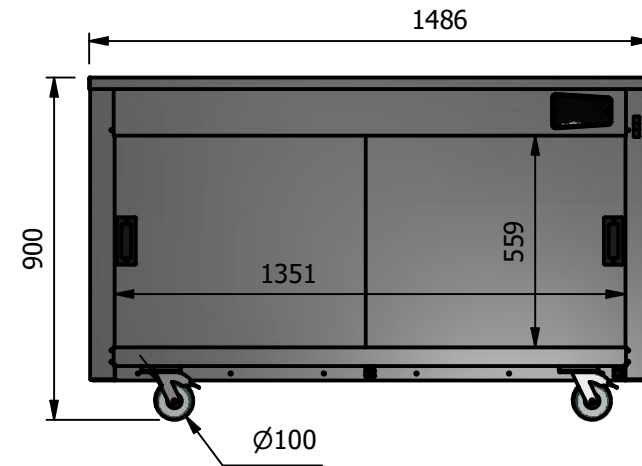
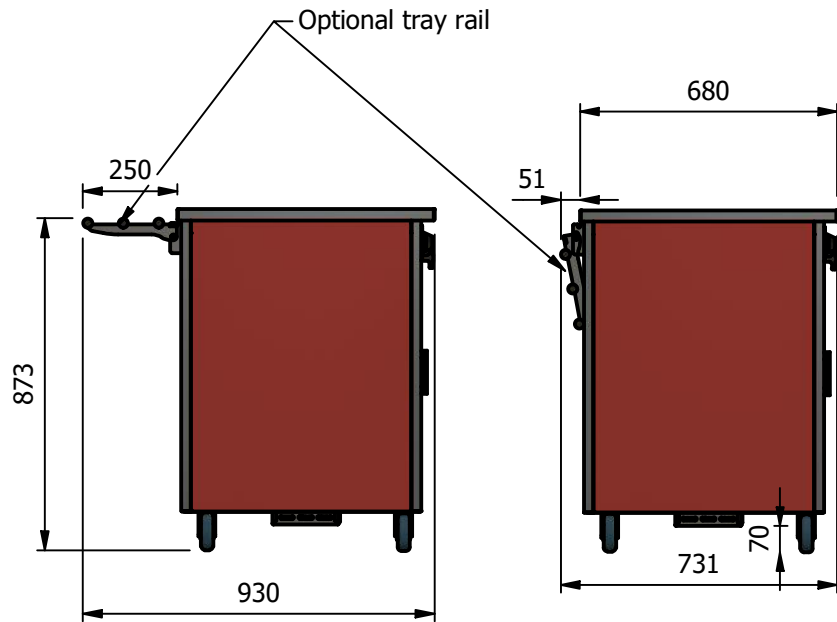
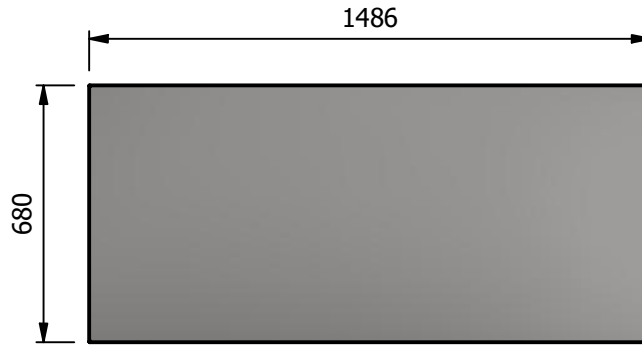


NOTE:- Serving height for children up to 12 years of age.  
 This model is available with a work top height of 800mm  
 Trayslide height of 773mm.  
 Please add "B" to the end of the product code.



**Moffat Specification**

Solid Stainless Steel Worktop provides a clean serving area.

Dimensions

Width - 1486mm  
 Depth - 680mm  
 Height - 900mm  
 Weight - 60kg

Capacity of Cupboard [usable inside space]

Width - 1351mm  
 Depth - 555mm  
 Usable Height Bottom shelf - 204mm  
 Usable Height Top Shelf - 245mm

190 off 10" plates stacked  
 or  
 8 off 1/1GN pans side by side 150mm deep 4 on top 4 on bottom

Materials

1.2mm 304 Grade St/ Steel Top & Supports  
 0.7mm 430 Grade St/ Steel Internal Structure  
 GN 1/1 Grid Shelves with 30mm x 30mm tube supports

Installation

All swivel castors, two braked

ALL SHEET METAL DIMENSIONS ARE I/S (INSIDE SIZES) (UNLESS OTHERWISE STATED)

ALL DIMENSIONS IN (mm), TOLERANCE = LINEAR ± 0.5mm, ANGULAR ± 0.5mm (OR AS STATED). ALL SHARP EDGES TO BE REMOVED FROM SHEET METAL PARTS

Product	VERSICARTE		Product No	N/A		<p>The Catering Equipment Company</p>	
Description	*** VC4SC ***						
Material/Finish	Thickness		Desp/Date				
Legacy P/N	Weight	60kg	Quote No.	Dwg No.	VCP-060375	Issue	
Client			SO Number	STANDARD		Drawn By	ABB
Client Project			Approved By	Date	28/10/2019		
E & R MOFFAT LTD, SEABEGS ROAD, BONNYBRIDGE, FK4 2BS, T: +44 (0)1324 812272, E: sales@ermoffat.co.uk, Web: www.ermoffat.co.uk				Scale	1 : 20	Sheet	1 / 2
							<b>A4</b>

No reproduction or publication of this drawing may be made, and no article may be manufactured or assembled in accordance with this drawing without prior written consent. This prohibition is a term of any contract relating to this drawing. Rights reserved under the Copyright Act 1956 as amended by the Design Copyright Act 1968.