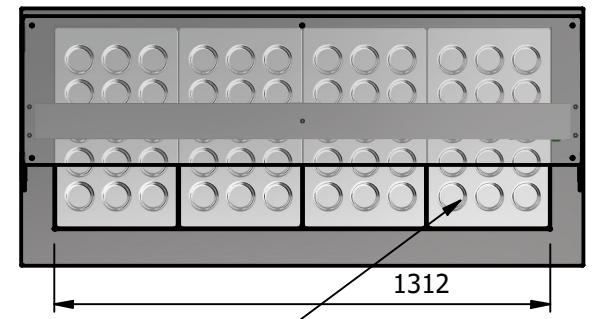
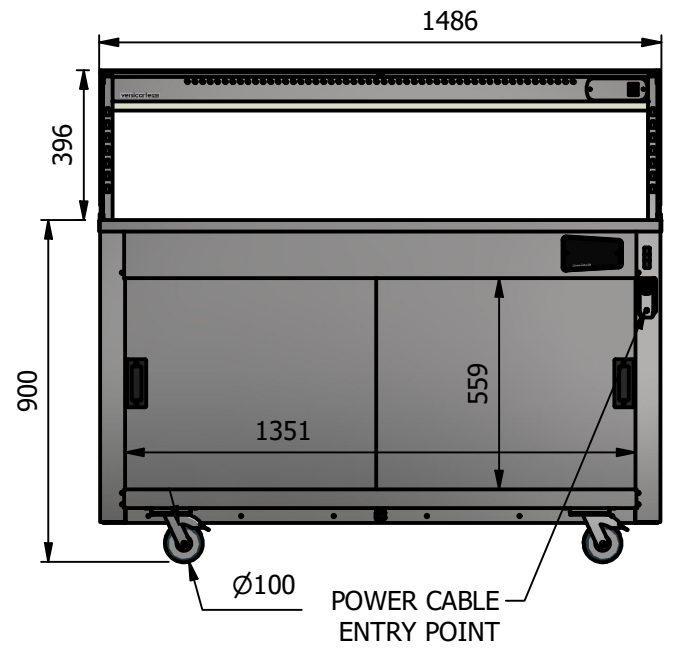


NOTE:- Serving height for children up to 12 years of age. This model is available with a work top height of 800mm and a Trayslide height of 773mm. Please add "B" to the end of the product code.



Well Area  
1312x 535



Moffat Polar Plates keep food chilled for 2 to 3 hours. Before use, the Polar Plates are charged for 8 to 12 hours in a deep freeze.

**Moffat Specification**

Polar Well  
The Stainless steel top inset with a Insulated well with contact cooling Polar plates

Dimensions  
Width - 1486mm  
Depth - 680mm  
Height - 900mm  
Weight - 145kg

Area of Well  
1312mm x 535mm

Capacity of Cupboard [usable inside space]  
Width - 1351mm  
Depth - 555mm  
Usable Height Bottom shelf - 204mm  
Usable Height Top Shelf - 245mm

190 off 10" plates stacked  
or  
8 off 1/1GN pans side by side 150mm deep 4 on top 4 on bottom

Power Rating with Gantry  
0.037kw  
complete with a 2m long cord set & 13amp plug

Materials  
1.2mm 304 Grade St/ Steel Top & Supports  
0.7mm 430 Grade St/ Steel Internal Structure  
GN 1/1 Grid Shelves with 30mm x 30mm tube supports

Installation  
All swivel castors, two braked

ALL SHEET METAL DIMENSIONS ARE I/S (INSIDE SIZES) (UNLESS OTHERWISE STATED) ALL DIMENSIONS IN (mm), TOLERANCE = LINEAR ± 0.5mm, ANGULAR ± 0.5mm (OR AS STATED). ALL SHARP EDGES TO BE REMOVED FROM SHEET METAL PARTS

Product	VERSICARTE		Product No	N/A	
Description	*** VC4PWSL *** Square Glass Options				
Material/Finish	Thickness		Desp/Date		
Legacy P/N	Weight	145kg	Quote No.		
Client			SO Number	STANDARD	
Client Project			Approved By		
			Dwg No.	VCP-066031	Issue
			Drawn By	ABB	-
			Date	04/07/2023	
			Scale	1 : 20	Sheet 1 / 1 A4

No reproduction or publication of this drawing may be made, and no article may be manufactured or assembled in accordance with this drawing without prior written consent. This prohibition is a term of any contract relating to this drawing. Rights reserved under the Copyright Act 1956 as amended by the Design Copyright Act 1968.

