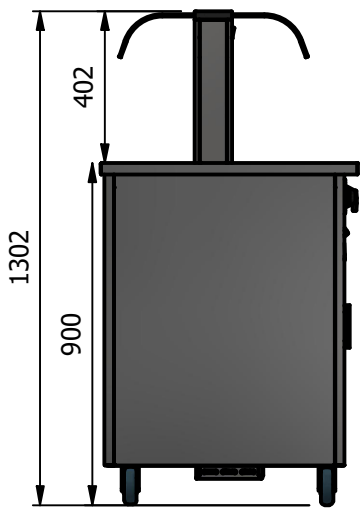
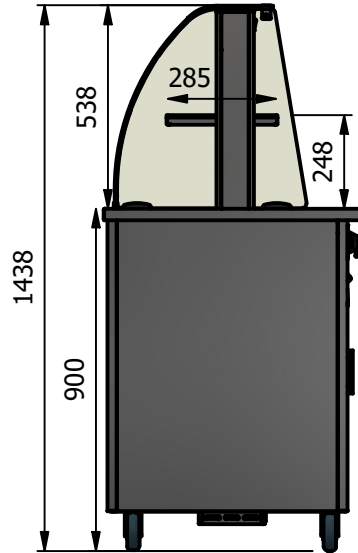


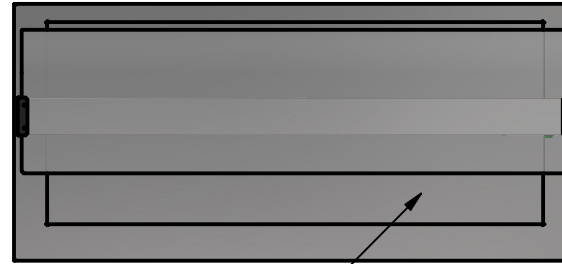
**Island Curved Glass**



**Deli Curved Glass**



NOTE:- Serving height for children up to 12 years of age. This model is available with a work top height of 800mm and a Trayslide height of 773mm. Please add "B" to the end of the product code.



Stainless Steel Hot Top Area  
1327 x 522

**Moffat Specification**

Solid hot Top

The Stainless Steel recessed top provides a clean hot serving area, via a solid state element fitted internally below, additional excess residual hot air from the hot cupboard is also used to maintain temperature which gives energy saving efficiency.

Dry Heat

Fan Assisted Hotcupboard

Dimensions

Width - 1486mm

Depth - 680mm

Height - 900mm

Weight - 90kg



Sahara Fan Model SF309

Area of hot top

1327mm x 522mm

Capacity of Hot Cupboard [usable inside space]

Width - 1351mm

Depth - 555mm

Usable Height Bottom shelf - 204mm

Usable Height Top Shelf - 245mm

50 covers & meals [10" plated meals stacked using plate covers]

or  
190 off 10" plates stacked for heating

or

8 off 1/1GN pans side by side 150mm deep 4 on top 4 on bottom

Power Rating

1.90kw with no gantry, 2.66Kw with heated gantry.

complete with a 2m long cord set & 13amp plug

Removable Fan heating System Sahara Fan Model SF309

Materials

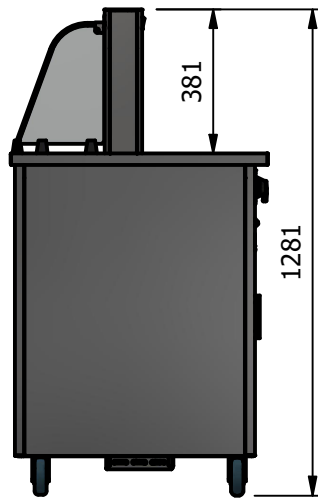
1.2mm 304 Grade St/ Steel Top & Supports

0.7mm 430 Grade St/ Steel Internal Structure

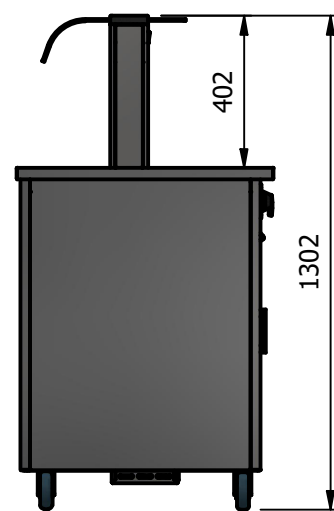
GN 1/1 Grid Shelves with 30mm x 30mm tube supports

Installation

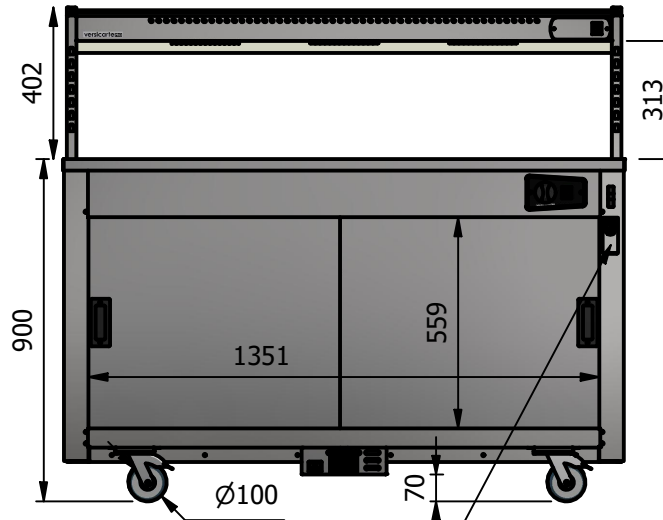
All swivel castors, two braked



Curved Glass Closed Front



Curved Glass Open Front



POWER CABLE  
ENTRY POINT

ALL SHEET METAL DIMENSIONS ARE I/S (INSIDE SIZES) (UNLESS OTHERWISE STATED)

ALL DIMENSIONS IN (mm), TOLERANCE = LINEAR ± 0.5mm, ANGULAR ± 0.5mm (OR AS STATED). ALL SHARP EDGES TO BE REMOVED FROM SHEET METAL PARTS

Product	VERSICARTE		Product No	N/A		<p>The Catering Equipment Company</p>				
Description	*** VC4HTS *** Curved Glass Options									
Material/Finish	Thickness		Desp/Date			<p>No reproduction or publication of this drawing may be made, and no article may be manufactured or assembled in accordance with this drawing without prior written consent. This prohibition is a term of any contract relating to this drawing. Rights reserved under the Copyright Act 1956 as amended by the Design Copyright Act 1968.</p>				
Legacy P/N	Weight	90kg	Quote No.							
Client			SO Number	STANDARD		Dwg No.	VCP-060454	Issue		
Client Project			Approved By			Drawn By	ABB			
E & R MOFFAT LTD, SEABEGS ROAD, BONNYBRIDGE, FK4 2BS, T: +44 (0)1324 812272, E: sales@ermoffat.co.uk, Web: www.ermoffat.co.uk						Date	03/07/2023			
						Scale	1 : 20	Sheet	1 / 2	<b>A4</b>