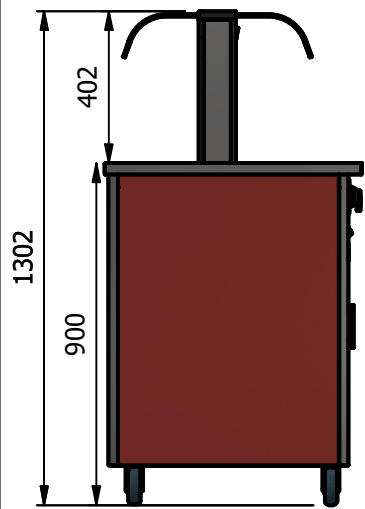
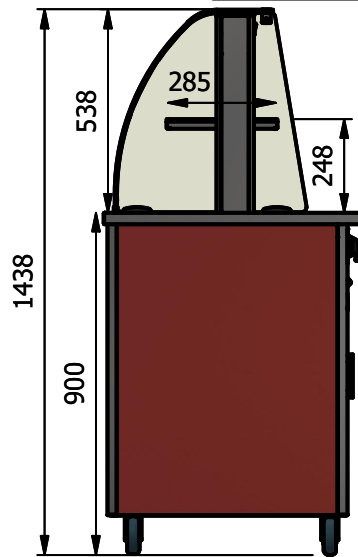


Island Curved Glass



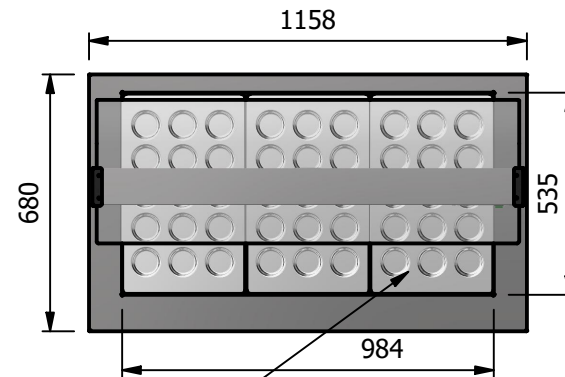
Deli Curved Glass



NOTE:- Serving height for children up to 12 years of age. This model is available with a work top height of 800mm and a Trayside height of 773mm. Please add "B" to the end of the product code.



Moffat Polar Plates keep food chilled for 2 to 3 hours. Before use, the Polar Plates are charged for 8 to 12 hours in a deep freeze.



Well Area  
984 x 535

**Moffat Specification**

Polar Well

The Stainless steel top inset with a Insulated well with contact cooling Polar plates

Dimensions

Width - 1158mm  
Depth - 680mm  
Height - 900mm  
Weight - 87kg

Area of Well

984mm x 535mm

Capacity of cupboard [usable inside space]

Width - 1023mm  
Depth - 555mm  
Usable Height Bottom shelf - 204mm  
Usable Height Top Shelf - 245mm

133 off 10" plates stacked  
or  
6 off 1/1GN pans side by side 150mm deep 3 on top 3 on bottom

Power Rating with Gantry

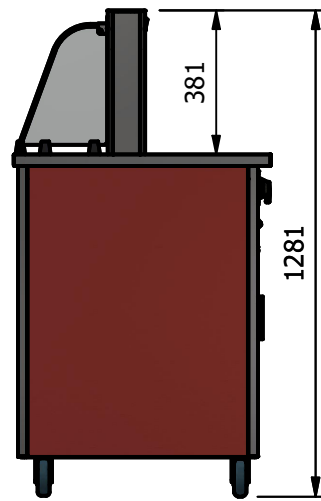
0.027kw  
complete with a 2m long cord set & 13amp plug

Materials

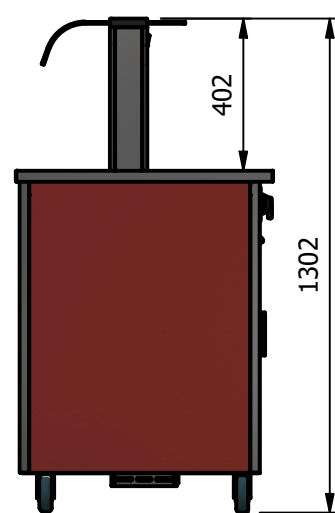
1.2mm 304 Grade St/ Steel Top & Supports  
0.7mm 430 Grade St/ Steel Internal Structure  
GN 1/1 Grid Shelves with 30mm x 30mm tube supports

Installation

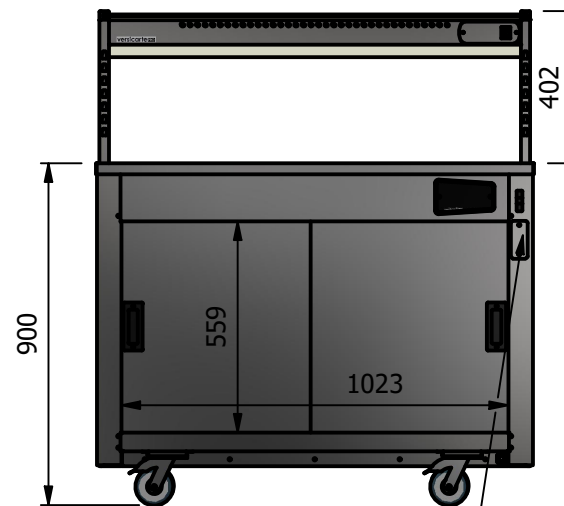
All swivel castors, two braked



Curved Glass Closed Front




Curved Glass Open Front



POWER CABLE  
ENTRY POINT

ALL SHEET METAL DIMENSIONS ARE I/S (INSIDE SIZES) (UNLESS OTHERWISE STATED)

ALL DIMENSIONS IN (mm), TOLERANCE = LINEAR ± 0.5mm, ANGULAR ± 0.5mm (OR AS STATED). ALL SHARP EDGES TO BE REMOVED FROM SHEET METAL PARTS

Product	VERSICARTE		Product No	N/A		 The Catering Equipment Company				
Description	*** VC3PW *** Curved Glass Options									
Material/Finish	Thickness		Desp/Date			Dwg No.	VCP-055070	Issue		
Legacy P/N	Weight	87kg	Quote No.							
Client			SO Number	STANDARD		Drawn By	ABB			
Client Project			Approved By			Date	04/07/2023			
E & R MOFFAT LTD, SEABEGS ROAD, BONNYBRIDGE, FK4 2BS, T: +44 (0)1324 812272, E: sales@ermoffat.co.uk, Web: www.ermoffat.co.uk						Scale	1 : 20	Sheet	1 / 2	<b>A4</b>

No reproduction or publication of this drawing may be made, and no article may be manufactured or assembled in accordance with this drawing without prior written consent. This prohibition is a term of any contract relating to this drawing. Rights reserved under the Copyright Act 1956 as amended by the Design Copyright Act 1968.