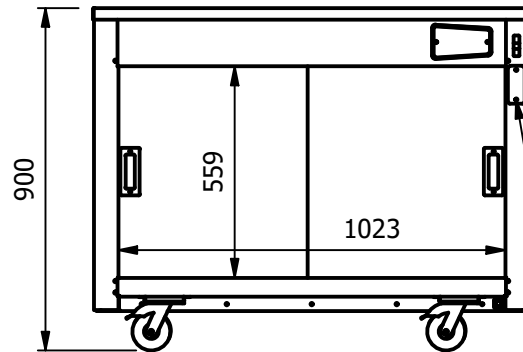
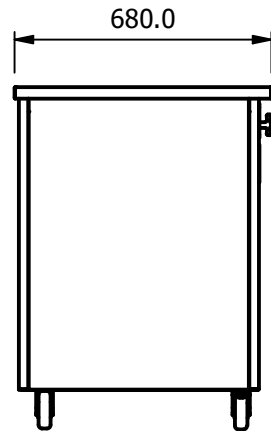
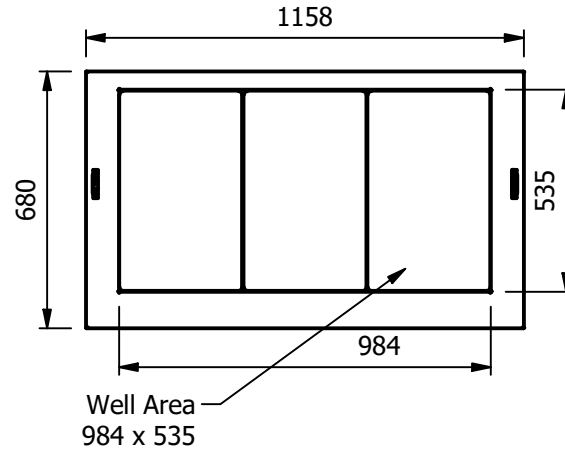


NOTE:- Serving height for children up to 12 years of age.
This model is available with a work top height of 800mm
and a Trayslide height of 773mm.
Please add "B" to the end of the product code.



Moffat Polar Plates keep food chilled
for 2 to 3 hours. Before use, the Polar Plates
are charged for 8 to 12 hours in a deep freeze.



Moffat Specification

Polar Well

The Stainless steel top inset with a
Insulated well with contact cooling Polar plates

Dimensions

Width - 1158mm
Depth - 680mm
Height - 900mm
Weight - 87kg

Area of Well

984mm x 535mm

Capacity of cupboard [usable inside space]

Width - 1023mm
Depth - 555mm
Usable Height Bottom shelf - 204mm
Usable Height Top Shelf - 245mm

133 off 10" plates stacked
or
6 off 1/1GN pans side by side 150mm deep 3 on top 3 on bottom

Power Rating with Gantry

0.027kw
complete with a 2m long cord set & 13amp plug

Materials


1.2mm 304 Grade St/ Steel Top & Supports
0.7mm 430 Grade St/ Steel Internal Structure
GN 1/1 Grid Shelves with 30mm x 30mm tube supports

Installation

All swivel castors, two braked

ALL SHEET METAL DIMENSIONS ARE I/S (INSIDE SIZES) (UNLESS OTHERWISE STATED)

ALL DIMENSIONS IN (mm), TOLERANCE = LINEAR ± 0.5mm, ANGULAR ± 0.5mm (OR AS STATED). ALL SHARP EDGES TO BE REMOVED FROM SHEET METAL PARTS

Product	VERSICARTE			Product No	N/A			 The Catering Equipment Company	
Description	*** VC3PW ***								
Material/Finish	Thickness		Desp/Date						
Legacy P/N	Weight	87kg	Quote No.		Dwg No.	VCP-084988	Issue		
Client			SO Number	STANDARD	Drawn By	ABB	-		
Client Project			Approved By		Date	04/07/2023			
E & R MOFFAT LTD, SEABEGS ROAD, BONNYBRIDGE, FK4 2BS, T: +44 (0)1324 812272, E: sales@ermoffat.co.uk, Web: www.ermoffat.co.uk					Scale	1 : 20	Sheet	1 / 1	A4

No reproduction or publication of this drawing
may be made, and no article may be manufactured
or assembled in accordance with this drawing
without prior written consent. This prohibition is a term
of any contract relating to this drawing. Rights reserved
under the Copyright Act 1956 as amended by the
Design Copyright Act 1968.