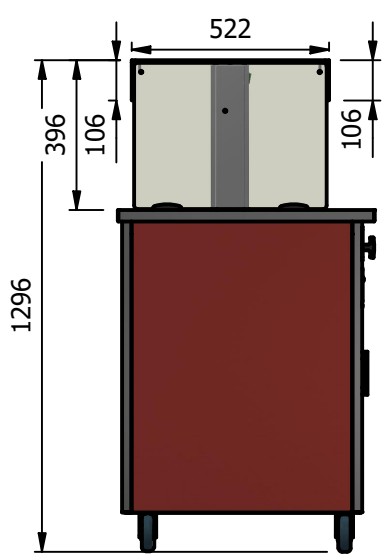
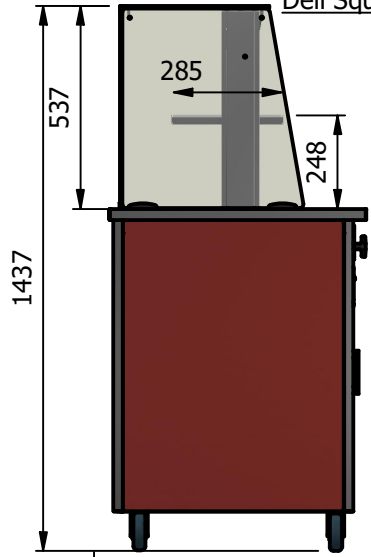


Island Square Glass



Deli Square Glass



NOTE:- Serving height for children up to 12 years of age. This model is available with a work top height of 800mm and a Trayslide height of 773mm. Please add "B" to the end of the product code.



Moffat Polar Plates keep food chilled for 2 to 3 hours. Before use, the Polar Plates are charged for 8 to 12 hours in a deep freeze.

**Moffat Specification**

Polar Well

The Stainless steel top inset with a Insulated well with contact cooling Polar plates

Dimensions

Width - 830mm  
Depth - 680mm  
Height - 900mm  
Weight - 58kg

Area of Well

656mm x 535mm

Capacity of Cupboard [usable inside space]

Width - 695mm  
Depth - 555mm  
Usable Height Bottom shelf - 204mm  
Usable Height Top Shelf - 245mm

95 off 10" plates stacked

or

4 off 1/1GN pans side by side 150mm deep 2 on top 2 on bottom

Power Rating with Gantry

0.023kw

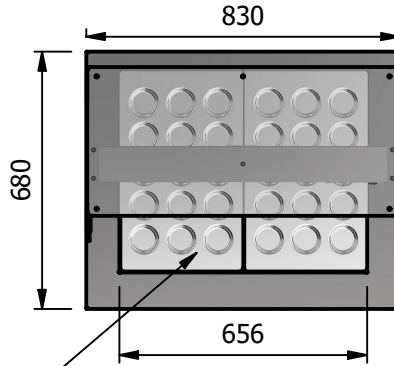
complete with a 2m long cord set & 13amp plug

Materials

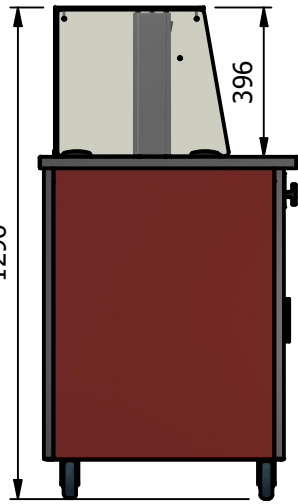
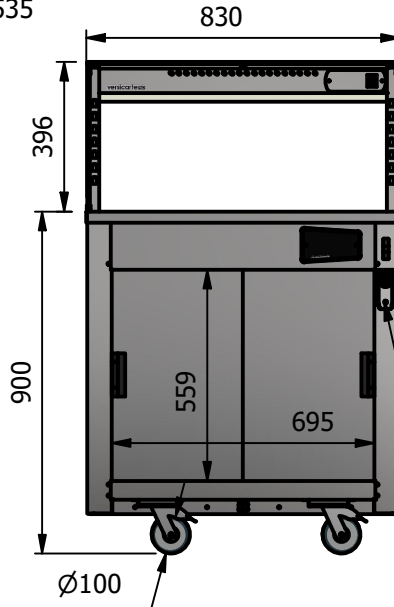
1.2mm 304 Grade St/ Steel Top & Supports  
0.7mm 430 Grade St/ Steel Internal Structure  
GN 1/1 Grid Shelves with 30mm x 30mm tube supports

Installation

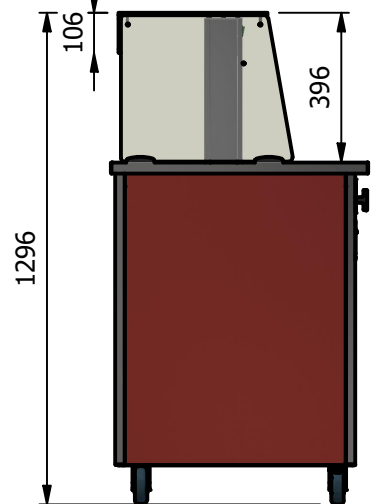
All swivel castors, two braked



Well Area  
656x 535




Square Glass Closed Front



Square Glass Open Front

ALL SHEET METAL DIMENSIONS ARE I/S (INSIDE SIZES) (UNLESS OTHERWISE STATED)

ALL DIMENSIONS IN (mm), TOLERANCE = LINEAR ± 0.5mm, ANGULAR ± 0.5mm (OR AS STATED). ALL SHARP EDGES TO BE REMOVED FROM SHEET METAL PARTS

Product	VERSICARTE		Product No	N/A		 The Catering Equipment Company
Description	*** VC2PWSL *** <b>Square Glass Options</b>					
Material/Finish	Thickness		Desp/Date			No reproduction or publication of this drawing may be made, and no article may be manufactured or assembled in accordance with this drawing without prior written consent. This prohibition is a term of any contract relating to this drawing. Rights reserved under the Copyright Act 1956 as amended by the Design Copyright Act 1968.
Legacy P/N	Weight	73.94Kg	Quote No.			
Client			SO Number	STANDARD	Dwg No.	VCP-066029
Client Project			Approved By		Drawn By	ABB
					Date	04/07/2023
E & R MOFFAT LTD, SEABEGS ROAD, BONNYBRIDGE, FK4 2BS, T: +44 (0)1324 812272, E: sales@ermoffat.co.uk, Web: www.ermoffat.co.uk					Scale	1 : 20
					Sheet	1 / 2
						<b>A4</b>