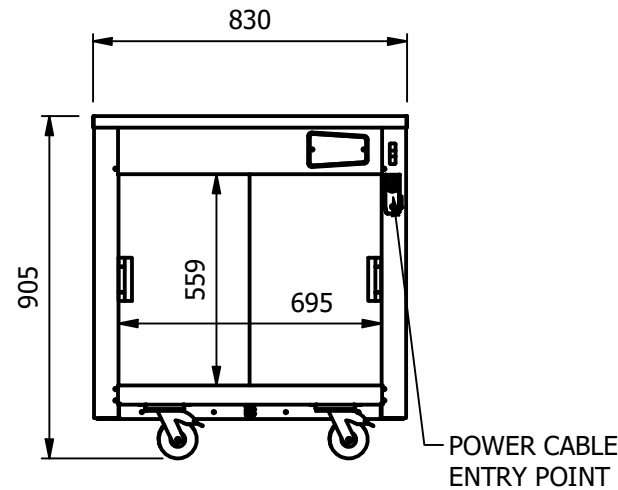
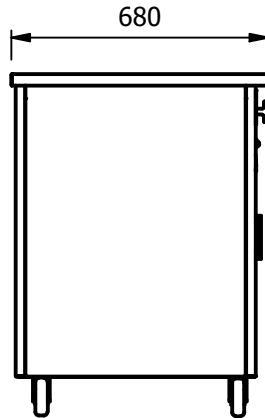
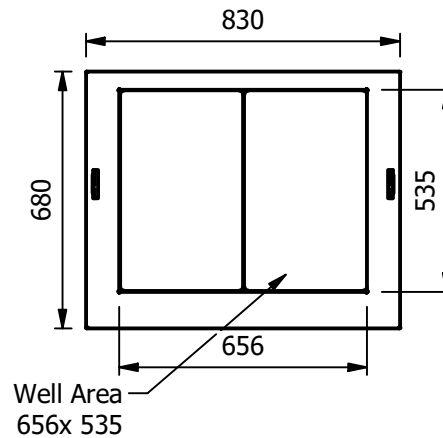


NOTE:- Serving height for children up to 12 years of age.  
 This model is available with a work top height of 800mm  
 and a Trayside height of 773mm.  
 Please add "B" to the end of the product code.



Moffat Polar Plates keep food chilled  
 for 2 to 3 hours. Before use, the Polar Plates  
 are charged for 8 to 12 hours in a deep freeze.



**Moffat Specification**

Polar Well

The Stainless steel top inset with a  
 Insulated well with contact cooling Polar plates

Dimensions

Width - 830mm  
 Depth - 680mm  
 Height - 900mm  
 Weight - 58kg

Area of Well

656mm x 535mm

Capacity of Cupboard [usable inside space]

Width - 695mm  
 Depth - 555mm  
 Usable Height Bottom shelf - 204mm  
 Usable Height Top Shelf - 245mm

95 off 10" plates stacked  
 or  
 4 off 1/1GN pans side by side 150mm deep 2 on top 2 on bottom

Power Rating with Gantry

0.023kw  
 complete with a 2m long cord set & 13amp plug

Materials


1.2mm 304 Grade St/ Steel Top & Supports  
 0.7mm 430 Grade St/ Steel Internal Structure  
 GN 1/1 Grid Shelves with 30mm x 30mm tube supports

Installation

All swivel castors, two braked

ALL SHEET METAL DIMENSIONS ARE I/S (INSIDE SIZES) (UNLESS OTHERWISE STATED)

ALL DIMENSIONS IN (mm), TOLERANCE = LINEAR ± 0.5mm, ANGULAR ± 0.5mm (OR AS STATED). ALL SHARP EDGES TO BE REMOVED FROM SHEET METAL PARTS

Product	VERSICARTE			Product No	N/A				
Description	*** VC2PW ***								
Material/Finish	Thickness		Desp/Date		 The Catering Equipment Company				
Legacy P/N	Weight	58kg	Quote No.						
Client			SO Number	STANDARD	Dwg No.	VCP-084987	Issue		
Client Project			Approved By		Drawn By	ABB	-		
E & R MOFFAT LTD, SEABEGS ROAD, BONNYBRIDGE, FK4 2BS, T: +44 (0)1324 812272, E: sales@ermoffat.co.uk, Web: www.ermoffat.co.uk					Date	04/07/2023			
					Scale	1 : 20	Sheet	1 / 1	<b>A4</b>

No reproduction or publication of this drawing  
 may be made, and no article may be manufactured  
 or assembled in accordance with this drawing  
 without prior written consent. This prohibition is a term  
 of any contract relating to this drawing. Rights reserved  
 under the Copyright Act 1956 as amended by the  
 Design Copyright Act 1968.