

Island Curved Glass

Deli Curved Glass

NOTE:- Serving height for children up to 12 years of age. This model is available with a work top height of 800mm and a Trayslide height of 773mm. Please add "B" to the end of the product code.

Moffat Specification

Solid hot Top

The Stainless Steel recessed top provides a clean hot serving area, via a solid state element fitted internally below, additional excess residual hot air from the hot cupboard is also used to maintain temperature which gives energy saving efficiency.

Dry Heat

Fan Assisted Hotcupboard

Dimensions

Width - 830mm
Depth - 680mm
Height - 900mm
Weight - 45kg



Sahara Fan Model SF309

Area of hot top
672mm x 522mm

Capacity of Hot Cupboard [usable inside space]

Width - 695mm
Depth - 555mm
Usable Height Bottom shelf - 204mm
Usable Height Top Shelf - 245mm

25 covers & meals [10" plated meals stacked using plate covers]
or
95 off 10" plates stacked for heating
or
4 off 1/1GN pans side by side 150mm deep 2 on top 2 on bottom

Power Rating

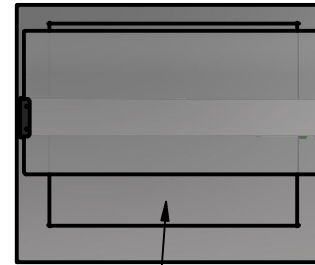
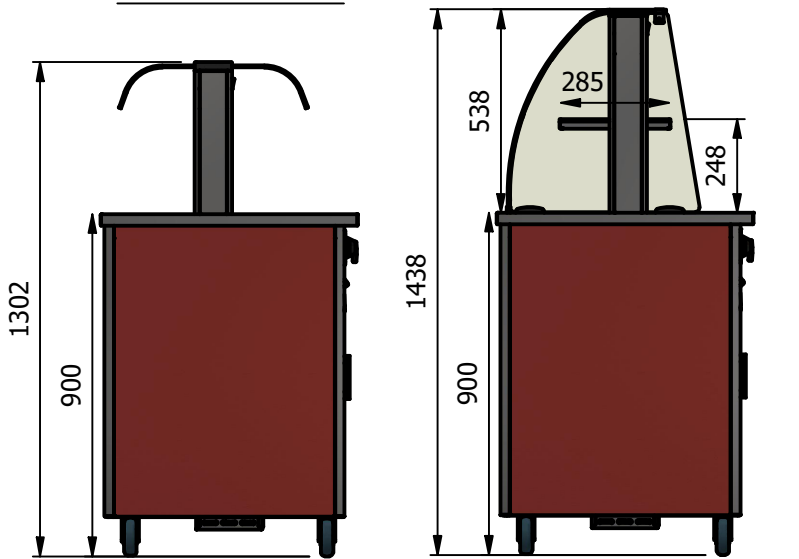
1.65kw with no gantry, 1.87Kw with heated gantry.
complete with a 2m long cord set & 13amp plug
Removable Fan heating System Sahara Fan Model SF309

Materials

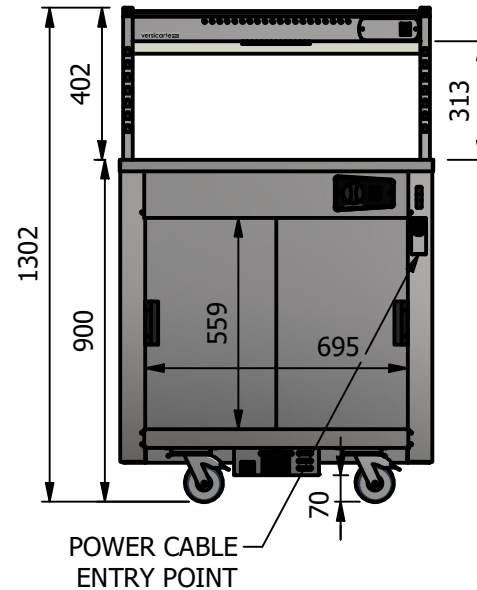
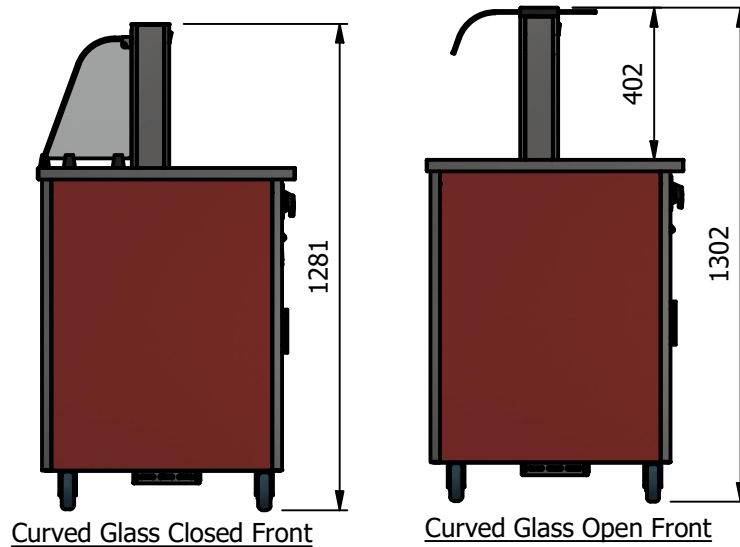
1.2mm 304 Grade St/ Steel Top & Supports
0.7mm 430 Grade St/ Steel Internal Structure
GN 1/1 Grid Shelves with 30mm x 30mm tube supports

Installation

All swivel castors, two braked



Stainless Steel Hot Top Area
672 x 522



POWER CABLE
ENTRY POINT

ALL SHEET METAL DIMENSIONS ARE I/S (INSIDE SIZES) (UNLESS OTHERWISE STATED)

ALL DIMENSIONS IN (mm), TOLERANCE = LINEAR ± 0.5mm, ANGULAR ± 0.5mm (OR AS STATED). ALL SHARP EDGES TO BE REMOVED FROM SHEET METAL PARTS

Product	VERSICARTE		Product No	N/A		<p>The Catering Equipment Company</p>			
Description	*** VC2HTS *** Curved Glass Options								
Material/Finish	Thickness		Desp/Date			<p>No reproduction or publication of this drawing may be made, and no article may be manufactured or assembled in accordance with this drawing without prior written consent. This prohibition is a term of any contract relating to this drawing. Rights reserved under the Copyright Act 1956 as amended by the Design Copyright Act 1968.</p>			
Legacy P/N	Weight	45kg	Quote No.						
Client			SO Number	STANDARD		Dwg No.	VCP-060452	Issue	
Client Project			Approved By			Drawn By	ABB		
						Date	03/07/2023		
E & R MOFFAT LTD, SEABEGS ROAD, BONNYBRIDGE, FK4 2BS, T: +44 (0)1324 812272, E: sales@ermoffat.co.uk, Web: www.ermoffat.co.uk						Scale	1 : 20	Sheet	1 / 2
									A4