

## Overview

Attractive & easy to manoeuvre, providing space for everything required for tea & coffee service. Perfect for aged care facilities and hospitals. Lightweight and robust, the trolley comes complete with a gallery rail on three sides incorporating a rear stand holding 6 off cutlery dispensers and 3 off 1/9 Gn size plastic containers for tea bags, sugar. The top has an inset at the rear with a 1/3 Gn size plastic pan for waste. Underneath there is one 1/2 Gn size plastic pan 100mm deep on runners for cakes etc. in the top pan position, and three 1/1 Gn size plastic pan 100mm deep on runners for cups, and saucers etc. Positioned on the base there is a 1/2 Gn size plastic pan 65mm deep for cleaning spray, sponge, or cloth. Additionally on the operators left hand side there are four off runners to suit 500mm x 500mm dishwasher type baskets (not supplied).



## Key Features:

- Easy to keep clean
- Light and easy to manoeuvre
- Corner bumper protection
- Solid stainless steel top set at 900mm from floor level
- Robust and ergonomic galley rail on three sides
- Discreet pan for cleaning cloth / spray
- Push pull handles with all swivel castors two with brakes
- Holds up to four dish wash baskets [500mm sq type]
- Provides an attractive & efficient solution for a mobile hot beverage service

## Options:

- Dish wash type baskets [500mm x 500mm]
- Wide choice of colours for the sides (the Standard colour is Goosewing Grey)
- Fold down end shelf
- 30 slice Toast warmer
- 10ltr water boiler with drip tray

## VBT

Shown with optional beverage dispensers and Dishwash baskets

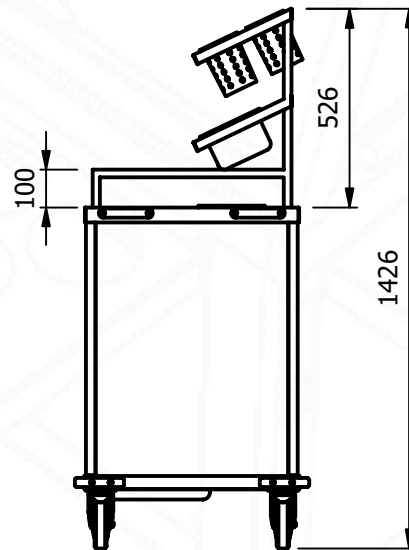
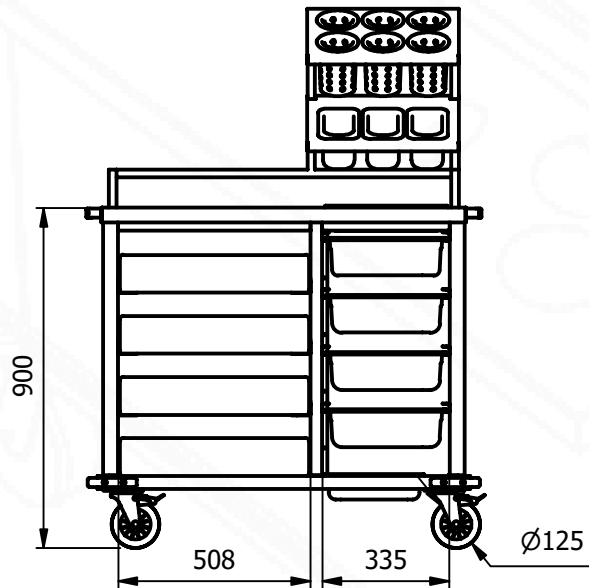
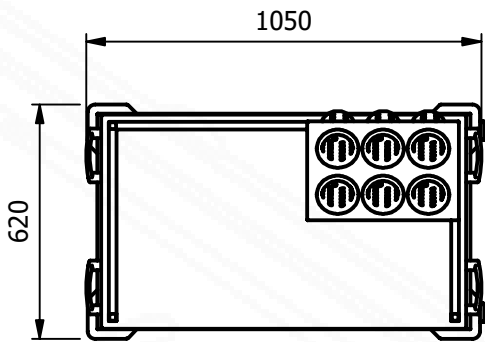


**Model VBT**

Length (mm)	Depth (mm)	Height (mm)	Weight (mm)
1050	620	1426	50



**VBT**  
Shown with optional beverage dispensers and Dishwash baskets



E&R Moffat Ltd.  
Bonnybridge  
FK4 2BS  
Scotland

Find us on:



www.ermoffat.co.uk  
+44 (0) 1324 812272  
sales@ermoffat.co.uk