

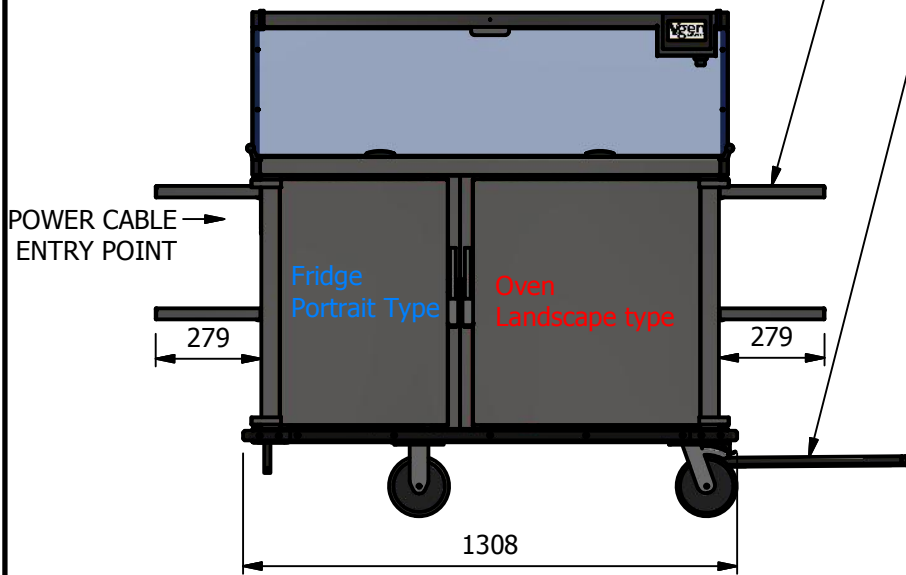
Optional Tray Slide - Code V2TS



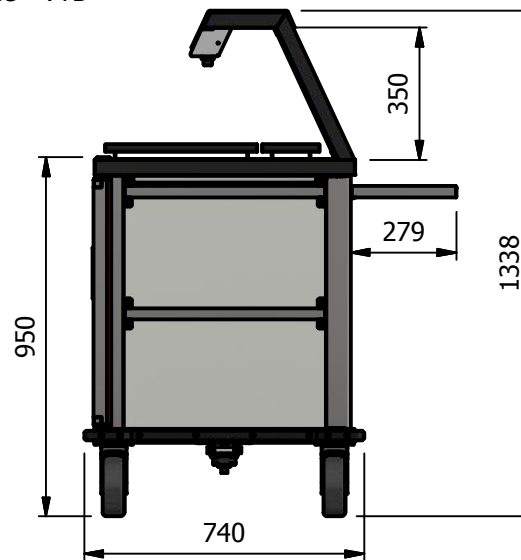
Optional End Shelves Code - VES

Optional End Shelf With Waste Bag Operators Right hand - Code VWFR

Optional End Shelf With Waste Bag Operators Left hand - Code VWFL



Optional Tow Bar and Hitch Code - VTB



Moffat Specification

Dimensions

Width - 740mm

Depth - 1308mm

Height - 1338mm

Weight - 170kg

Power Rating

2.9 kw.

complete with a 2m long cord set & 13amp plug.

Materials

1.2mm 304 & 430 Grade St/ Steel Top & Supports.

0.7 & 1.2mm 430 Grade St Steel Ancillary Parts.

Plastic Coated Steel Front and Side panels.

1.0mm Aluminium Inner Structure.

6mm Perspex Full Front Screen.

Neo-Ceram Hot Top Area 1210mm x 590mm.

LED Illumination.

Fully Insulated Compartment.

Mobility

Castors :- 2 Swivel Type With Brakes, 2 Fixed Direction.

Control

Fully Programmably For 24/7 Operation.

Three Set Meal Programmes With

Boost, Hold, Pre heat, & Cleaning Functions.

Oven

Capacity 98lites

8off Gn1/1 Grid shelf positions @ 71mm pitch

Fridge

Capacity 98lites

8off Gn1/1 Grid shelf positions @ 71mm pitch

ALL SHEET METAL DIMENSIONS ARE I/S (INSIDE SIZES) (UNLESS OTHERWISE STATED)

ALL DIMENSIONS IN (mm), TOLERANCE = LINEAR ± 0.5mm, ANGULAR ± 0.5mm (OR AS STATED). ALL SHARP EDGES TO BE REMOVED FROM SHEET METAL PARTS

Product	Vgen 2018			Product No			<small>No reproduction or publication of this drawing may be made, and no article may be manufactured or assembled in accordance with this drawing without prior written consent. This prohibition is a term of any contract relating to this drawing. Rights reserved under the Copyright Act 1956 as amended by the Design Copyright Act 1968.</small>		
Description	V2GR			Desp/Date			Dwg No. VGEN-005046 Issue -		
Material/Finish	Thickness			Quote No.					
Legacy P/N	Weight	170kg		SO Number	N/A	Drawn By ABB Date 22/05/2018	Scale 1 : 20 Sheet 1 / 4 A4		
Client				Approved By					
Client Project									