

Optional Tray Slide - Code V2TS

Optional End Shelves Code - VES
 Optional End Shelf With Waste Bag Operators Right hand - Code VWFR
 Optional End Shelf With Waste Bag Operators Left hand - Code VWFL



Moffat Specification

Dimensions
 Width - 740mm
 Depth - 1308mm
 Height - 1338mm
 Weight - 175kg

Power Rating
 2.9 kw.
 complete with a 2m long cord set & 13amp plug.

Materials
 1.2mm 304 & 430 Grade St/ Steel Top & Supports.
 0.7 & 1.2mm 430 Grade St Steel Ancillary Parts.
 Plastic Coated Steel Front and Side panels.
 1.0mm Aluminium Inner Structure.
 6mm Perspex Full Front Screen.
 Neo-Ceram Hot Top Area 1210mm x 590mm.
 LED Illumination.
 Fully Insulated Compartment.

Mobility
 Castors :- 2 Swivel Type With Brakes, 2 Fixed Direction.

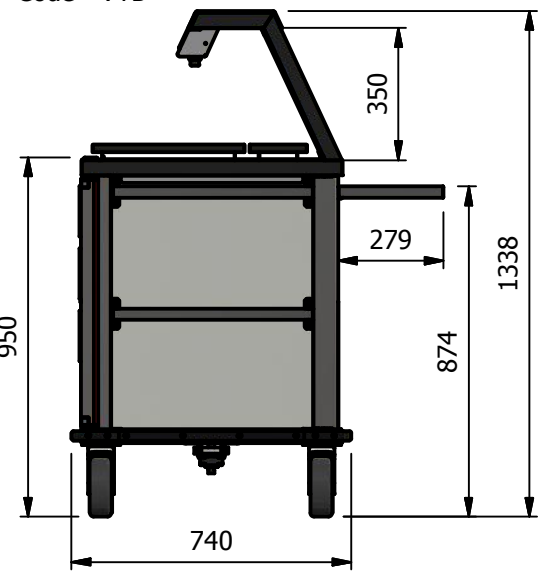
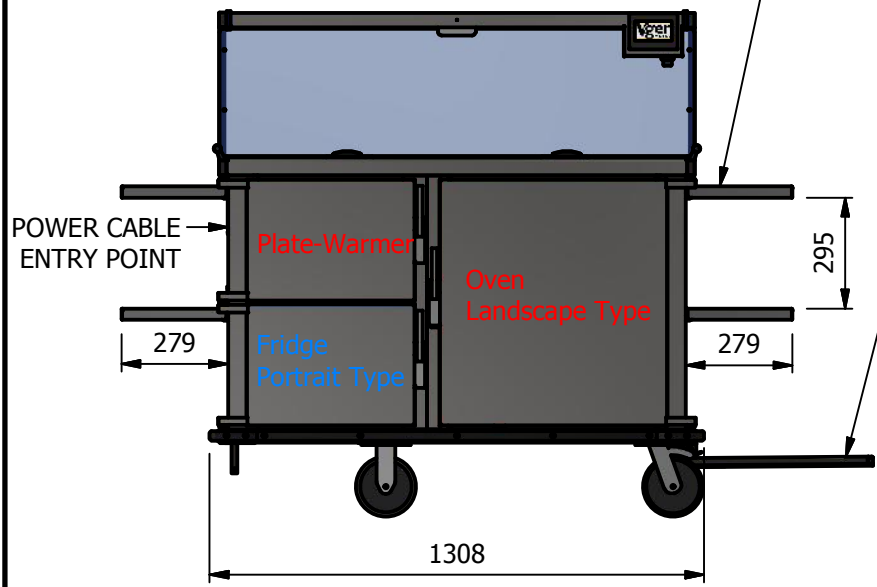
Control
 Fully Programmably For 24/7 Operation.
 Three Set Meal Programmes With
 Boost, Hold, Pre heat, & Cleaning Functions.

Oven
 Capacity 98litres
 8off Gn1/1 Grid shelf positions @ 71mm pitch

Fridge
 Capacity 49litres
 4off Gn1/1 Grid shelf positions @ 71mm pitch

Plate Warmer
 Capacity 56 Litres
 Holds 40 plates [9" / 230mm]

Optional Tow Bar and Hitch
 Code - VTB



ALL SHEET METAL DIMENSIONS ARE I/S (INSIDE SIZES) (UNLESS OTHERWISE STATED) ALL DIMENSIONS IN (mm), TOLERANCE = LINEAR ± 0.5mm, ANGULAR ± 0.5mm (OR AS STATED). ALL SHARP EDGES TO BE REMOVED FROM SHEET METAL PARTS

Product	VGEN 2018		Product No					
Description	V2GPR							
Material/Finish	Thickness		Desp/Date		No reproduction or publication of this drawing may be made, and no article may be manufactured or assembled in accordance with this drawing without prior written consent. This prohibition is a term of any contract relating to this drawing. Rights reserved under the Copyright Act 1956 as amended by the Design Copyright Act 1968.			
Legacy P/N	Weight	175kg	Quote No.					
Client			SO Number	N/A	Dwg No.	VGEN-005383	Issue	
Client Project			Approved By		Drawn By	ABB		
					Date	22/06/2018		