

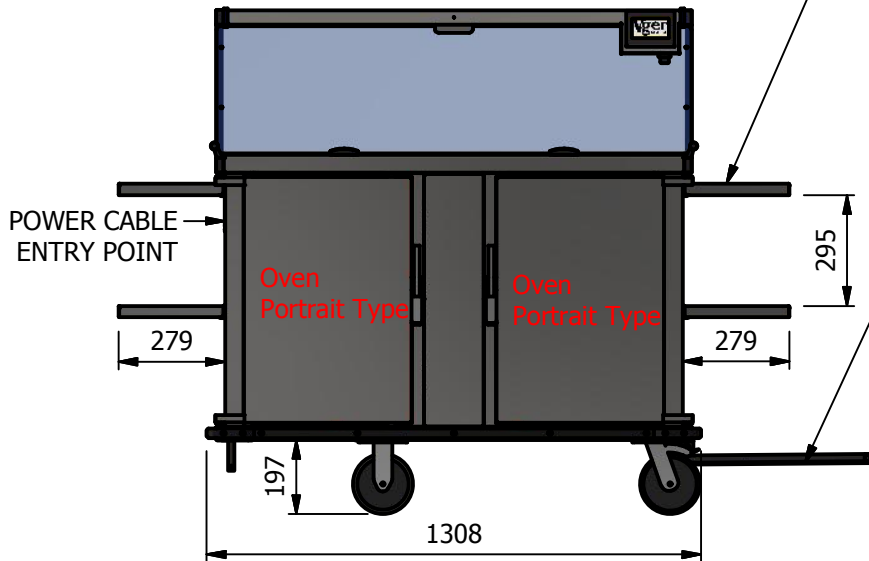
Optional Tray Slide - Code V2TS



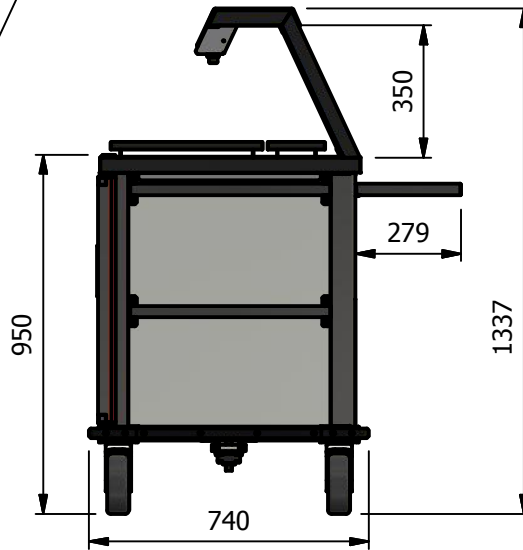
Optional End Shelves Code - VES

Optional End Shelf With Waste Bag Operators Right hand - Code VWFR

Optional End Shelf With Waste Bag Operators Left hand - Code VWFL



Optional Tow Bar and Hitch Code - VTB



Moffat Specification

Dimensions

Width - 740mm

Depth - 1308mm

Height - 1338mm

Weight - 160kg

Power Rating

5.8 kw.

complete with a 2m long cord set & 32amp plug.

Materials

1.2mm 304 & 430 Grade St/ Steel Top & Supports.

0.7 & 1.2mm 430 Grade St Steel Ancillary Parts.

Plastic Coated Steel Front and Side panels.

1.0mm Aluminium Inner Structure.

6mm Perspex Full Front Screen.

Neo-Ceram Hot Top Area 1210mm x 590mm.

LED Illumination.

Fully Insulated Compartment.

Mobility

Castors :- 2 Swivel Type With Brakes, 2 Fixed Direction.

Control

Fully Programmably For 24/7 Operation.

Three Set Meal Programmes With

Boost, Hold, Pre heat, & Cleaning Functions.

Oven [2off]

Capacity 98lites

8off Gn1/1 Grid shelf positions @ 71mm pitch

ALL SHEET METAL DIMENSIONS ARE I/S (INSIDE SIZES) (UNLESS OTHERWISE STATED)

ALL DIMENSIONS IN (mm), TOLERANCE = LINEAR ± 0.5mm, ANGULAR ± 0.5mm (OR AS STATED). ALL SHARP EDGES TO BE REMOVED FROM SHEET METAL PARTS

Product	VGEN 2018			Product No			No reproduction or publication of this drawing may be made, and no article may be manufactured or assembled in accordance with this drawing without prior written consent. This prohibition is a term of any contract relating to this drawing. Rights reserved under the Copyright Act 1956 as amended by the Design Copyright Act 1968.			
Description	V2GG			Desp/Date			Dwg No. VGEN-005601 Issue -			
Material/Finish	Thickness			Quote No.						
Legacy P/N	Weight	160kg		SO Number	N/A	Drawn By	ABB			
Client				Approved By		Date	04/07/2018			
Client Project						Scale	1 : 28	Sheet	1 / 3	A4