

Moffat Specification

Dimensions

Width - 740mm
 Depth - 1308mm
 Height - 988mm (Serving area 943mm)
 Weight - 140kg

Power Rating

Model: V2GGENG13 = 5.4kw (2 x 13amp or 32amp single phase)
 Model: V2GGENG16 = 9.0kw (16amp or 32amp Three phase)
 complete with a 2m long cord set & 16amp plug.

Materials

1.2mm 304 & 430 Grade St/ Steel Top & Supports.
 0.7 & 1.2mm 430 Grade St Steel Ancillary Parts.
 Plastic Coated Steel Front and Side panels.
 1.0mm Aluminium Inner Structure.
 Neo-Ceram Hot Top Area 1210mm x 590mm.
 Fully Insulated Compartment.

Mobility

Castors :- 2 Swivel Type With Brakes, 2 Fixed Direction.

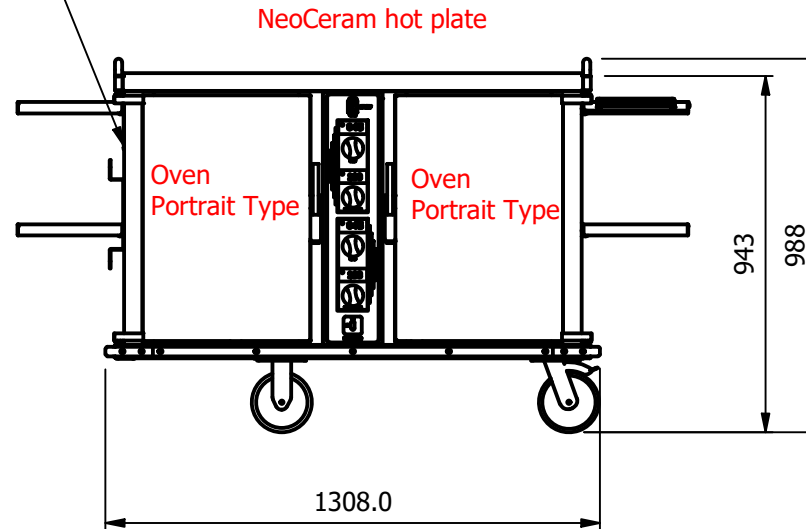
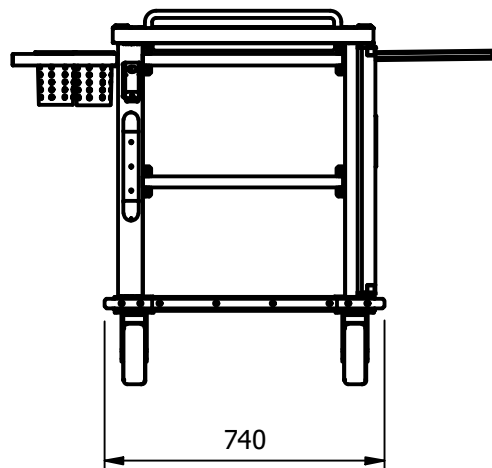
Control

Digital cook time and temperature
 with automatic keep hot during service

Oven [Zoff]

Capacity 98lites
 8off Gn1/1 Grid shelf positions @ 71mm pitch

POWER CABLE
 ENTRY POINT



ALL SHEET METAL DIMENSIONS ARE I/S (INSIDE SIZES) (UNLESS OTHERWISE STATED)

ALL DIMENSIONS IN (mm), TOLERANCE = LINEAR ± 0.5mm, ANGULAR ± 0.5mm (OR AS STATED). ALL SHARP EDGES TO BE REMOVED FROM SHEET METAL PARTS

Product	VGEN 2018		Product No			
Description	V2GGENG					
Material/Finish	Thickness		Desp/Date			
Legacy P/N	Weight	750.43Kg	Quote No.			
Client			SO Number	N/A		
Client Project			Approved By			
			Dwg No.	112145-1	Issue	
			Drawn By	ABB	-	
			Date	04/02/2022		
E & R MOFFAT LTD, SEABEGS ROAD, BONNYBRIDGE, FK4 2BS, T: +44 (0)1324 812272, E: sales@ermoffat.co.uk, Web: www.ermoffat.co.uk			Scale	1 : 20	Sheet 1 / 2 A4	

No reproduction or publication of this drawing may be made, and no article may be manufactured or assembled in accordance with this drawing without prior written consent. This prohibition is a term of any contract relating to this drawing. Rights reserved under the Copyright Act 1956 as amended by the Design Copyright Act 1968.