

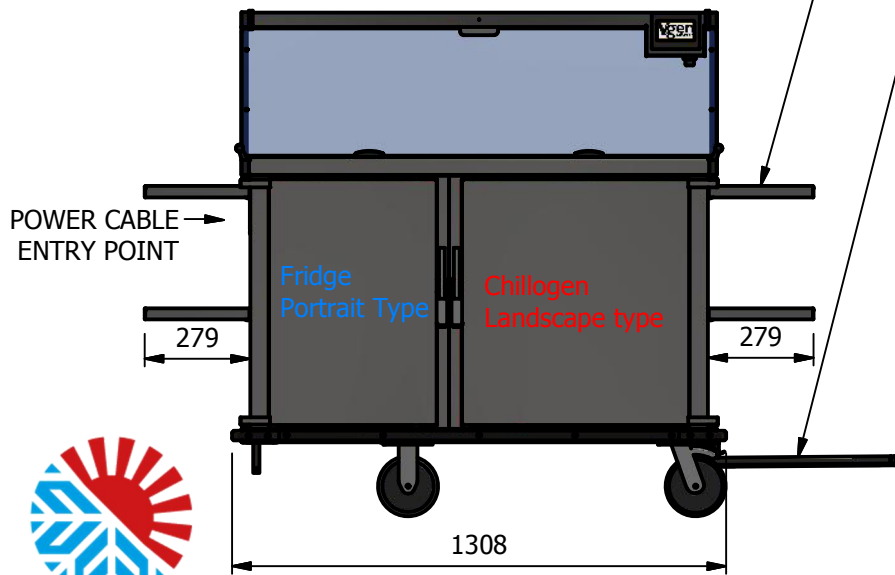
Optional Tray Slide - Code V2TS



Optional End Shelves Code - VES

Optional End Shelf With Waste Bag Operators Right hand - Code VWFR

Optional End Shelf With Waste Bag Operators Left hand - Code VWFL

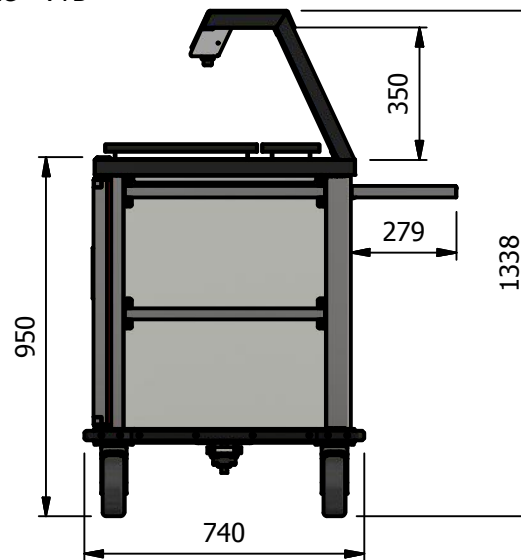


POWER CABLE ENTRY POINT

Fridge  
Portrait Type

Chillogen  
Landscape type

Optional Tow Bar and Hitch  
Code - VTB



### Moffat Specification

#### Dimensions

Width - 740mm

Depth - 1308mm

Height - 1338mm

Weight - 170kg

Power Rating

2.9 kw.

complete with a 2m long cord set & 13amp plug.

#### Materials

1.2mm 304 & 430 Grade St/ Steel Top & Supports.

0.7 & 1.2mm 430 Grade St Steel Ancillary Parts.

Plastic Coated Steel Front and Side panels.

1.0mm Aluminium Inner Structure.

6mm Perspex Full Front Screen.

Neo-Ceram Hot Top Area 1210mm x 590mm.

LED Illumination.

Fully Insulated Compartment.

#### Mobility

Castors :- 2 Swivel Type With Brakes, 2 Fixed Direction.

#### Control

Fully Programmably For 24/7 Operation.

Three Set Meal Programmes With

Boost, Hold, Pre heat, & Cleaning Functions.

#### Chillogen

Capacity 98lites

8off Gn1/1 Grid shelf positions @ 71mm pitch

#### Fridge


Capacity 98lites

8off Gn1/1 Grid shelf positions @ 71mm pitch



ALL SHEET METAL DIMENSIONS ARE I/S (INSIDE SIZES) (UNLESS OTHERWISE STATED)

ALL DIMENSIONS IN (mm), TOLERANCE = LINEAR ± 0.5mm, ANGULAR ± 0.5mm (OR AS STATED). ALL SHARP EDGES TO BE REMOVED FROM SHEET METAL PARTS

Product	Vgen 2018			Product No		 The Catering Equipment Company
Description	V2CR					
Material/Finish	Thickness		Desp/Date			No reproduction or publication of this drawing may be made, and no article may be manufactured or assembled in accordance with this drawing without prior written consent. This prohibition is a term of any contract relating to this drawing. Rights reserved under the Copyright Act 1956 as amended by the Design Copyright Act 1968.
Legacy P/N	Weight	170kg	Quote No.			
Client			SO Number	N/A	Dwg No.	VGEN-038472
Client Project			Approved By		Drawn By	ABB
					Date	22/05/2018
					Scale	1 : 20
					Sheet	1 / 4
						<b>A4</b>