

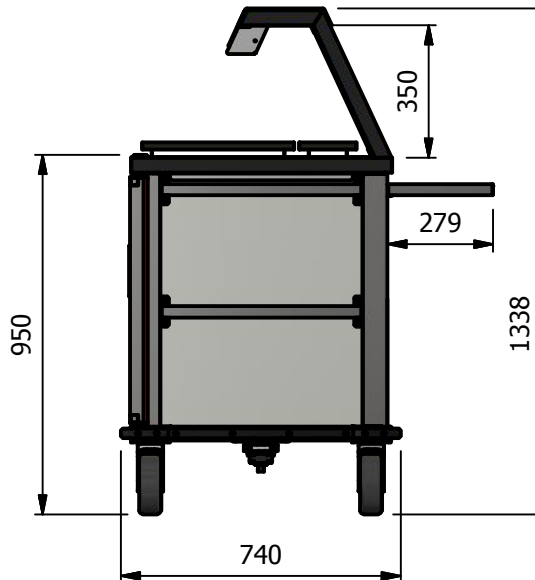
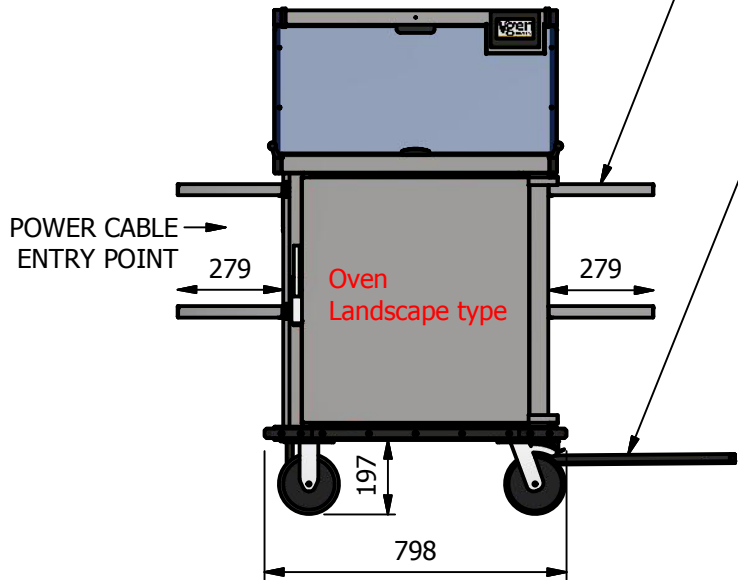
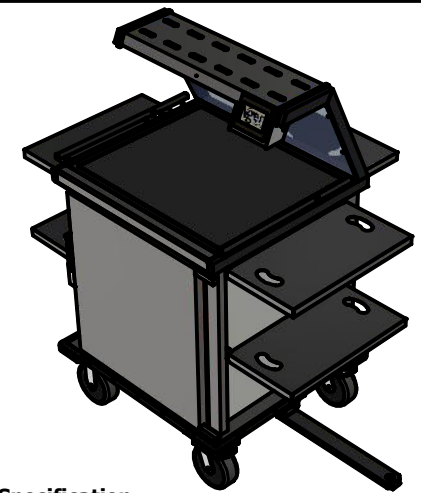
Optional Tray Slide - Code VITS

Optional End Shelves Code - VES

Optional End Shelf With Waste Bag Operators Right hand - Code VWFR

Optional End Shelf With Waste Bag Operators Left hand - Code VWFL

Optional Tow Bar and Hitch Code - VTB



Moffat Specification

Dimensions

Width - 740mm

Depth - 798mm

Height - 1338mm

Weight - 120kg

Power Rating

2.9 kw.

complete with a 2m long cord set & 13amp plug.

Materials

1.2mm 304 & 430 Grade St/ Steel Top & Supports.

0.7 & 1.2mm 430 Grade St Steel Ancillary Parts.

Plastic Coated Steel Front and Side panels.

1.0mm Aluminium Inner Structure.

6mm Perspex Full Front Screen.

Neo-Ceram Hot Top Area 700mm x 590mm.

LED Illumination.

Fully Insulated Compartment.

Mobility

Castors :- 2 Swivel Type With Brakes, 2 Fixed Direction.

Control

Fully Programmable For 24/7 Operation.

Three Set Meal Programmes With

Boost, Hold, Pre heat, & Cleaning Functions.

Oven


Oven Compartment

Capacity 98litres

8off Gn1/1 Grid shelf positions @ 71mm pitch

ALL SHEET METAL DIMENSIONS ARE I/S (INSIDE SIZES) (UNLESS OTHERWISE STATED)

ALL DIMENSIONS IN (mm), TOLERANCE = LINEAR ± 0.5mm, ANGULAR ± 0.5mm (OR AS STATED). ALL SHARP EDGES TO BE REMOVED FROM SHEET METAL PARTS

Product	VGEN 2018			Product No		 The Catering Equipment Company	No reproduction or publication of this drawing may be made, and no article may be manufactured or assembled in accordance with this drawing without prior written consent. This prohibition is a term of any contract relating to this drawing. Rights reserved under the Copyright Act 1956 as amended by the Design Copyright Act 1968.			
Description	V1G									
Material/Finish	Thickness			Desp/Date						
Legacy P/N	Weight	120kg		Quote No.		Dwg No.	VGEN-005045	Issue		
Client				SO Number	N/A	Drawn By	ABB			
Client Project				Approved By		Date	18/06/2018			
E & R MOFFAT LTD, SEABEGS ROAD, BONNYBRIDGE, FK4 2BS, T: +44 (0)1324 812272, E: sales@ermoffat.co.uk, Web: www.ermoffat.co.uk						Scale	1 : 20	Sheet	1 / 4	A4