

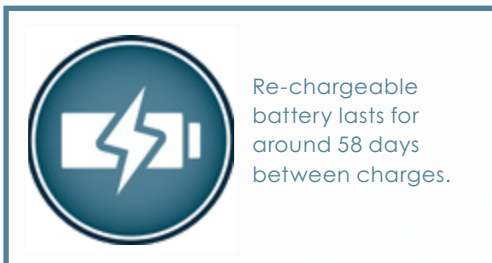
## Overview

Sanitising dispenser unit Stand alone or can be fixed to a rear wall. Touchless automatic hand sanitiser dispenser machine with very large capacity designed to pump out gel from a standard 5-litre type container with additional storage for a backup 5 litre. The fully automatic hand sanitiser dispenser is battery operated removing the requirement to touch. Simply place your hand under the dispenser and a measured dose of gel, liquid soap or sanitiser will be dispensed. The dispenser can contain liquid soap, anti-bacterial gel, or 70% alcohol hand sanitiser. The power system is a re-chargeable battery type which will last for around 58 days at 120 uses per day before needing recharged. This allows complete freedom with installing and sighting. Complete with a concealed waste bin with counter-top aperture ring for tissues etc, and twin counter-top pop up napkin dispensers.



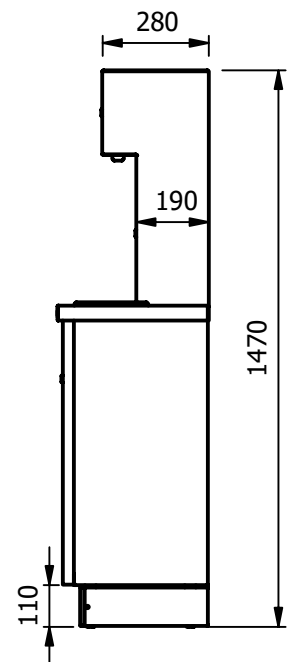
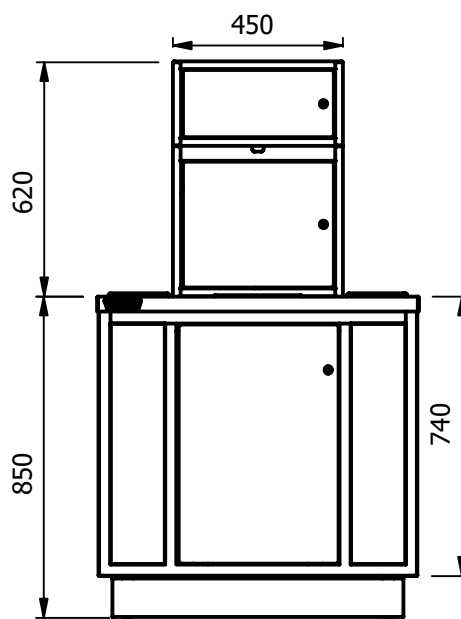
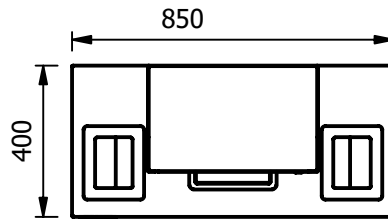
## Key Features:

- High capacity
- Re-chargeable battery lasts for around 58 days between charges.
- Pop up napkin dispensers
- Waste bin.
- Easy access lockable doors for storage.
- Adjustable for level feet and kick plate
- Practical automatic operation.
- With hygiene in mind made throughout in bright polished stainless steel.
- Storage for two 5 litres of antibacterial hand sanitiser.
- Bulk fill design utilising 5 litre standard bottles. no special specific cartridge types.
- Ideal for areas where soap and water are not available, the hand sanitiser dispenser offers an easy and effective hand sanitising option.





Model	Capacity	Weight (kg)	L x W x H (mm)
SDSU	2 x 5000ml	100	850 x 400 x 1470



MADE IN BRITAIN

E&R Moffat Ltd.  
Bonnybridge  
FK4 2BS  
Scotland

Find us on:



1963 - 2018

www.ermoffat.co.uk  
+44 (0) 1324 812272  
sales@ermoffat.co.uk