

Moffat Specification

Solid Stainless Steel Worktop
Insulated for efficiency
provides a clean serving area.

Dry Heat
Fan Assisted Hotcupboard

Dimensions
Width - 1603mm
Depth - 700mm
Height - 900mm
Weight - 95kg

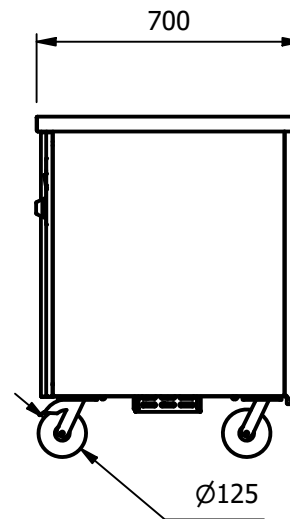
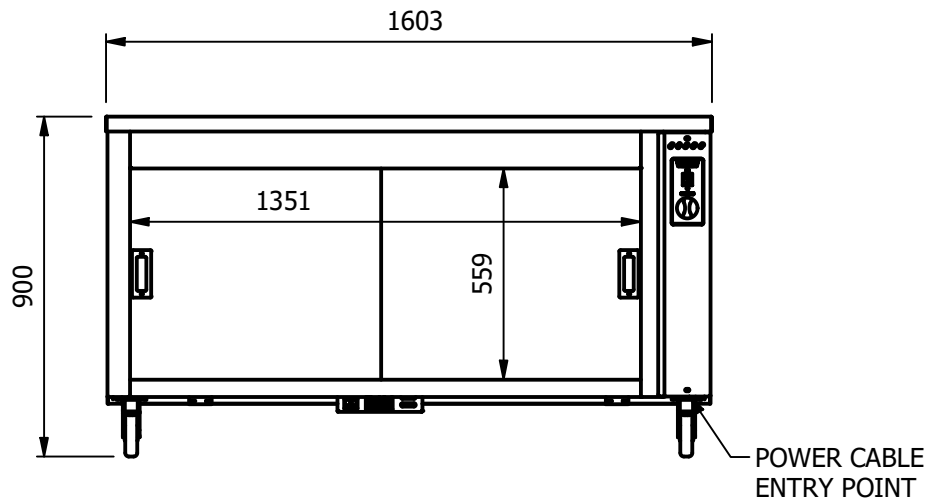
Capacity of Hot Cupboard [usable inside space]
Width - 1351mm
Depth - 555mm
Usable Height Bottom shelf - 210mm
Usable Height Top Shelf - 195mm

50 covers & meals [10" plated meals stacked using plate covers]
or
190 off 10" plates stacked for heating
or
8 off 1/1GN pans side by side 150mm deep 4 on top 4 on bottom

Power Rating
1.5kw.
complete with a 2m long cord set & 13amp plug
Removable Fan heating System Sahara Fan Model SF315


Materials
1.2mm 304 Grade St/ Steel Top & Supports
0.7mm 430 Grade St/ Steel Internal Structure
GN 1/1 Grid Shelves with 30mm x 30mm tube supports

Installation
All swivel castors, two braked



ALL SHEET METAL DIMENSIONS ARE I/S (INSIDE SIZES) (UNLESS OTHERWISE STATED)

ALL DIMENSIONS IN (mm), TOLERANCE = LINEAR ± 0.5mm, ANGULAR ± 0.5mm (OR AS STATED). ALL SHARP EDGES TO BE REMOVED FROM SHEET METAL PARTS

Product	COUNTERS			Product No					
Description	HC4-7								
Material/Finish	Thickness		Desp/Date		<small>No reproduction or publication of this drawing may be made, and no article may be manufactured or assembled in accordance with this drawing without prior written consent. This prohibition is a term of any contract relating to this drawing. Rights reserved under the Copyright Act 1956 as amended by the Design Copyright Act 1968.</small>	Dwg No.	CTRP-113429-1	Issue	
Legacy P/N	Weight	95kg	Quote No.						
Client			SO Number	N/A	Drawn By	ABB		-	
Client Project			Approved By		Date	28/06/2021			
E & R MOFFAT LTD, SEABEGS ROAD, BONNYBRIDGE, FK4 2BS, T: +44 (0)1324 812272, E: sales@ermoffat.co.uk, Web: www.ermoffat.co.uk					Scale	1 : 20	Sheet	1 / 2	A4