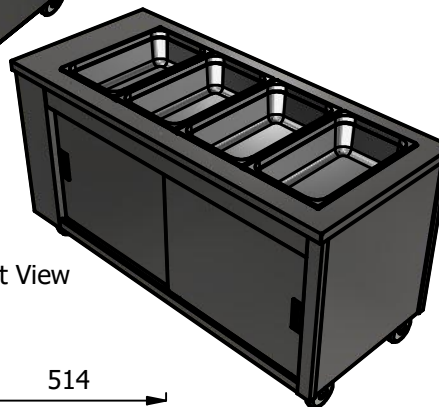
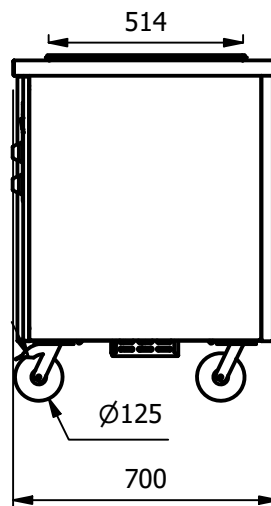
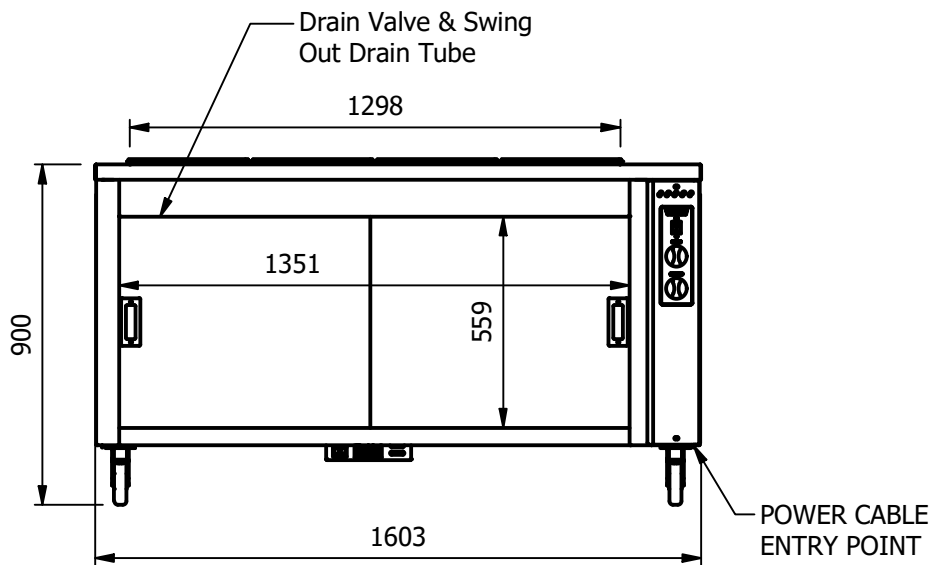


Rear View



Front View



**Moffat Specification**

Bainmarie well "wet or dry"

Can Be used dry heat or wet heat using hot water and steam. The open bath is designed to hold Gastronorm pans and heats via solid state elements fitted externally on the base of the bath, additional excess residual hot air from the hot cupboard is also used to maintain temperature which gives energy saving efficiency.

Dry Heat  
Fan Assisted Hotcupboard

Power Rating  
2.9kw  
Complete with a 2m long cord set  
Removable Fan heating System Sahara Fan Model SF309

Materials  
1.2mm 304 Grade St/ Steel Top & Supports  
0.7mm 430 Grade St/ Steel Internal Structure  
GN 1/1 Grid Shelves with 30mm x 30mm tube supports

Installation  
All swivel castors, two braked

Dimensions  
Width - 1603mm  
Depth - 700mm  
Height - 900mm  
Weight - 100kg

Capacity of Bainmarie  
Four GN1/1 pans up to 150mm deep  
[Note:-pans are not supplied, available at extra cost]

Capacity of Hot Cupboard [usable inside space]  
Width - 1351mm  
Depth - 559mm  
Usable Height Bottom shelf - 210mm  
Usable Height Top Shelf - 195mm

50 covers & meals [10" plated meals stacked using plate covers]  
or  
190 off 10" plates stacked for heating  
or  
8 off 1/1GN pans side by side 150mm deep 4 on top 4 on bottom

Installation  
All swivel castors, two braked

ALL SHEET METAL DIMENSIONS ARE I/S (INSIDE SIZES) (UNLESS OTHERWISE STATED)

ALL DIMENSIONS IN (mm), TOLERANCE = LINEAR ± 0.5mm, ANGULAR ± 0.5mm (OR AS STATED). ALL SHARP EDGES TO BE REMOVED FROM SHEET METAL PARTS

Product	COUNTERS			Product No					
Description	HB4DBS-7								
Material/Finish	Thickness			Desp/Date					
Legacy P/N	Weight	100kg		Quote No.					
Client				SO Number	N/A		Dwg No.	CTRP-113671-1	
Client Project				Approved By			Drawn By	ABB	
							Date	28/06/2021	
							Scale	1 : 20	
							Sheet	1 / 2	
								A4	

No reproduction or publication of this drawing may be made, and no article may be manufactured or assembled in accordance with this drawing without prior written consent. This prohibition is a term of any contract relating to this drawing. Rights reserved under the Copyright Act 1956 as amended by the Design Copyright Act 1968.

