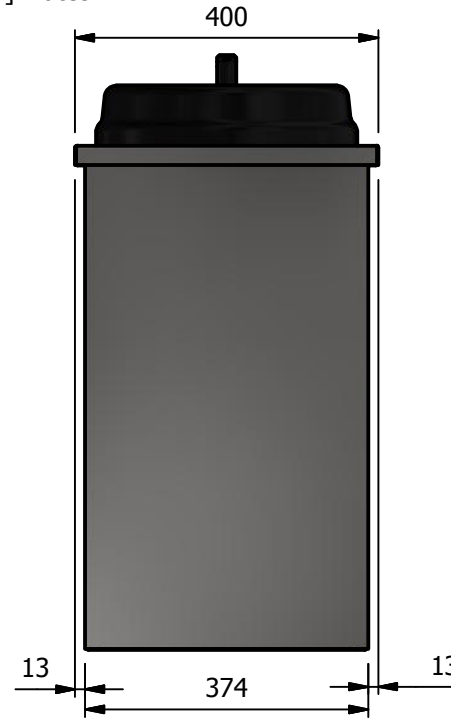
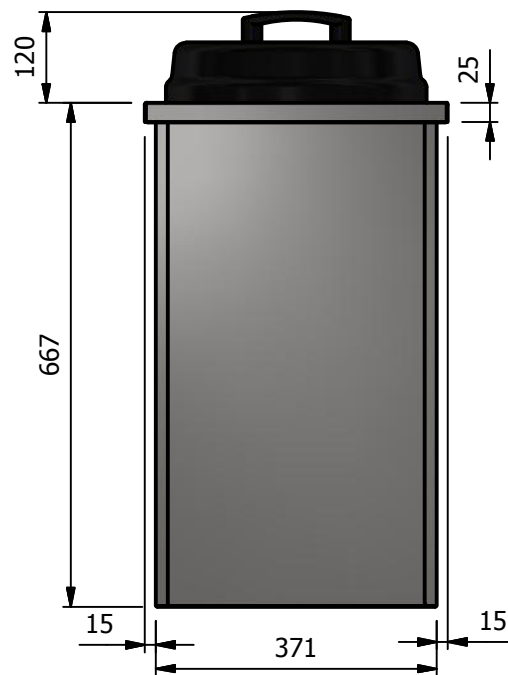
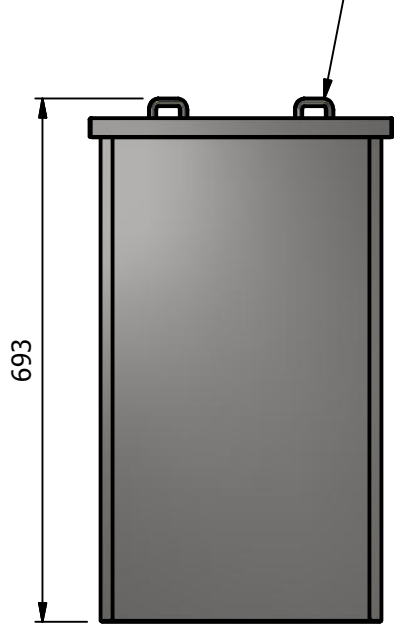


Adjustable Guide Rods to suit 8" - 12" [203mm - 305 mm] Plates



Moffat Specification

Dimensions

Width - 400mm
 Depth - 400mm
 Height - 788mm
 Weight - 15kg

Materials

0.7mm 430 Grade St/Steel Gantry Hood
 1.2mm 304 Grade St/ Steel Top & Supports
 1.2mm 430 Grade St Steel Ancillary Parts
 Plate Cover Black ABS plastic

Capacity

65 plates depending on type and thickness

Installation

Counter Top Flush Fit Cut Out Dimensions
 406mm x 406mm x 25mm
 Counter Support Cut Out Dimensions
 376mm x 376mm

ALL SHEET METAL DIMENSIONS ARE I/S (INSIDE SIZES) (UNLESS OTHERWISE STATED)

ALL DIMENSIONS IN (mm), TOLERANCE = LINEAR ± 0.5mm, ANGULAR ± 0.5mm (OR AS STATED). ALL SHARP EDGES TO BE REMOVED FROM SHEET METAL PARTS

Product	DROP-IN RANGE			Product No			
Description	DUP1						
Material/Finish	Thickness		Desp/Date				
Legacy P/N	Weight	14.53Kg	Quote No.				
Client				SO Number	N/A		
Client Project				Approved By			
				Dwg No.	DIP-039303		Issue
				Drawn By	nraymen		-
				Date	08/04/2019		
E & R MOFFAT LTD, SEABEGS ROAD, BONNYBRIDGE, FK4 2BS, T: +44 (0)1324 812272, E: sales@ermoffat.co.uk, Web: www.ermoffat.co.uk				Scale	1 : 10	Sheet	1 / 1 A4

No reproduction or publication of this drawing may be made, and no article may be manufactured or assembled in accordance with this drawing without prior written consent. This prohibition is a term of any contract relating to this drawing. Rights reserved under the Copyright Act 1956 as amended by the Design Copyright Act 1968.

