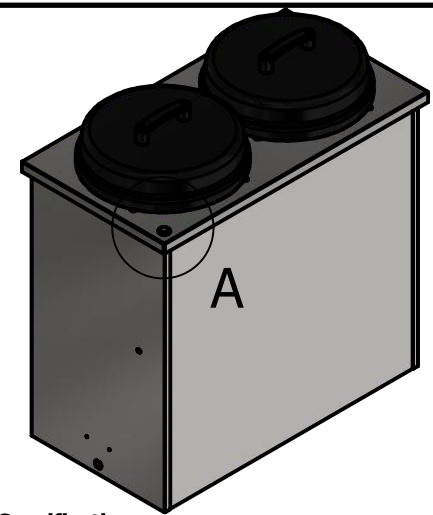
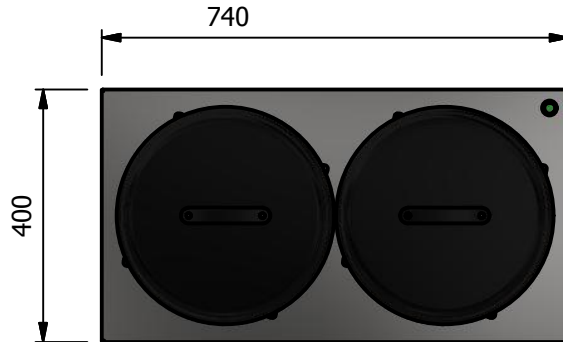
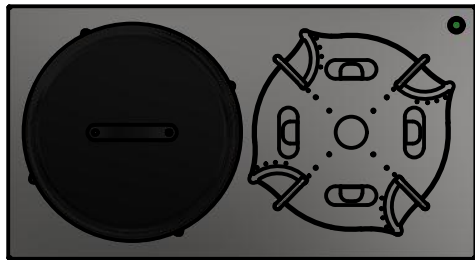
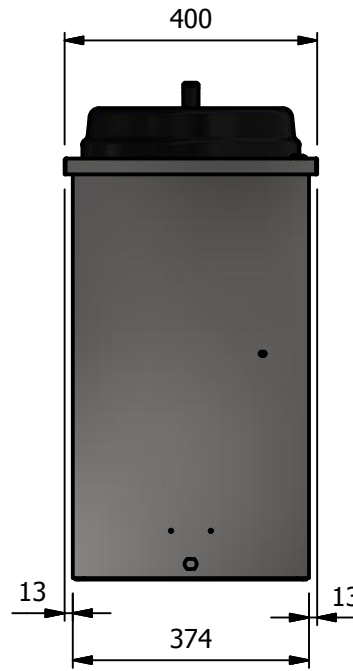
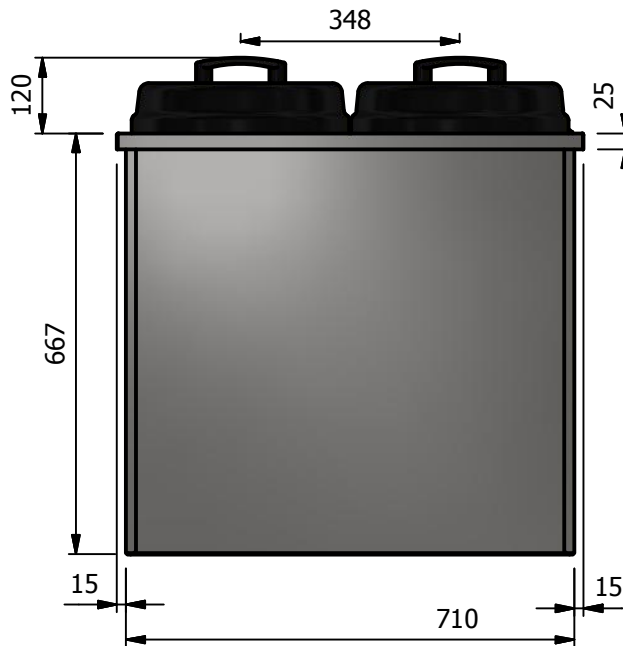
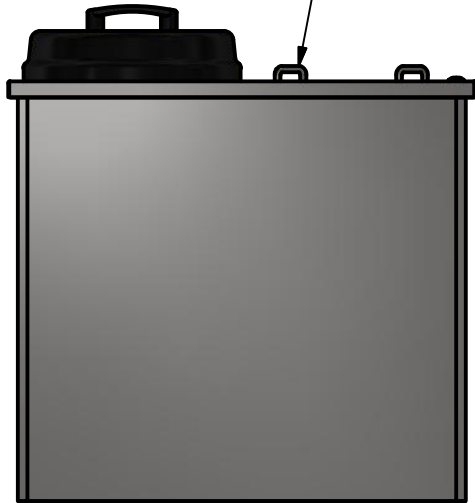


A (1 : 6)



Adjustable Guide Rods to suit 8" - 12" [203mm - 305 mm] Plates



**Moffat Specification**

Dimensions  
 Width - 400mm  
 Depth - 740mm  
 Height - 788mm  
 Weight - 28kg

Power Rating  
 1.2 kw  
 complete with a 2m long cord set & 13amp plug

Materials  
 0.7mm 430 Grade St/Steel Gantry Hood  
 1.2mm 304 Grade St/ Steel Top & Supports  
 1.2mm 430 Grade St Steel Ancillary Parts  
 Plate Cover Black ABS plastic

Capacity  
 130 plates approximately  
 Each tube can hold up to 65 plates  
 depending on type and thickness

Installation  
 Counter Top Flush Fit Cut Out Dimensions  
 406mm x 746mm x 25mm  
 Counter Support Cut Out Dimensions  
 376mm x 716mm

ALL SHEET METAL DIMENSIONS ARE I/S (INSIDE SIZES) (UNLESS OTHERWISE STATED)

ALL DIMENSIONS IN (mm), TOLERANCE = LINEAR ± 0.5mm, ANGULAR ± 0.5mm (OR AS STATED). ALL SHARP EDGES TO BE REMOVED FROM SHEET METAL PARTS

Product	DROP-IN RANGE			Product No			
Description	DHP2						
Material/Finish	Thickness			Desp/Date			
Legacy P/N	Weight	28kg		Quote No.			
Client				SO Number	N/A		
Client Project				Approved By			
				Dwg No.	DIP-032180		Issue
				Drawn By	nraymen		-
				Date	08/04/2019		
E & R MOFFAT LTD, SEABEGS ROAD, BONNYBRIDGE, FK4 2BS, T: +44 (0)1324 812272, E: sales@ermoffat.co.uk, Web: www.ermoffat.co.uk				Scale	1 : 12	Sheet	1 / 1   <b>A4</b>

No reproduction or publication of this drawing may be made, and no article may be manufactured or assembled in accordance with this drawing without prior written consent. This prohibition is a term of any contract relating to this drawing. Rights reserved under the Copyright Act 1956 as amended by the Design Copyright Act 1968.

