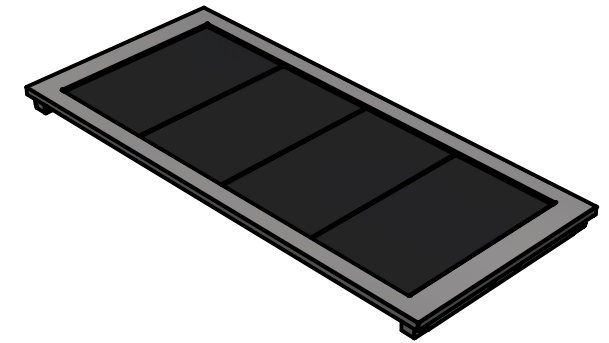
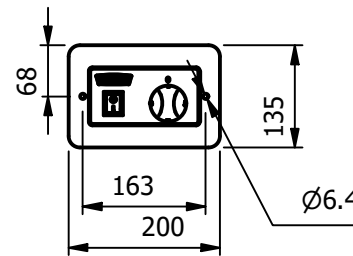


A (1 : 10)



Moffat Specification

Dimensions

Width - 1486mm
Depth - 660mm
Height - 66mm
Weight - 31kg

Power Rating

0.720 kw
complete with a 2m long cord set & 13amp plug

Materials

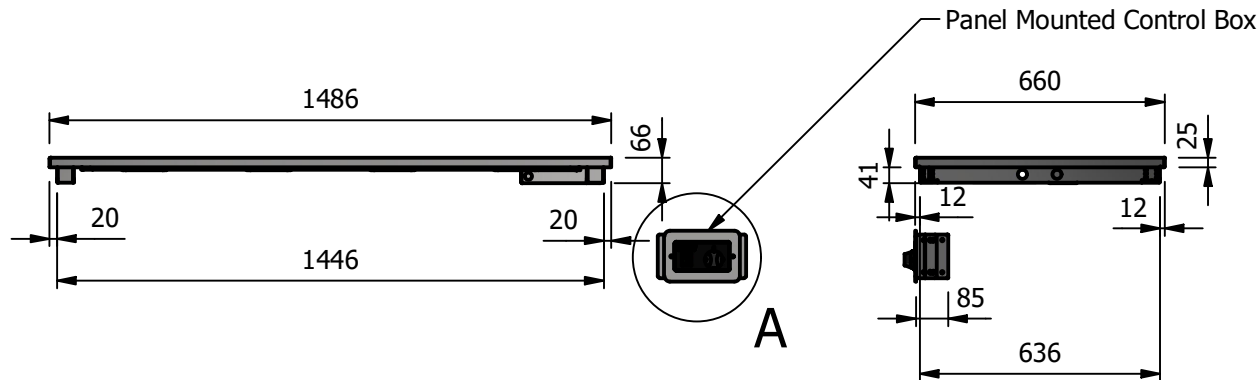
1.2mm 304 Grade St/ Steel Top & Supports
1.2mm Galvanised Steel Inner Supports
Neo-Ceram Hot Plates

Installation

Counter Top Flush Fit Cut Out Dimensions
1492mm x 666mm x 25mm
Counter Support Cut Out Dimensions
1468mm x 642mm

Control Box

Panel Mounted Cut Out Dimension
185mm x 120mm
2m Long Power Cable Connecting
Control Box to Base unit



ALL SHEET METAL DIMENSIONS ARE I/S (INSIDE SIZES) (UNLESS OTHERWISE STATED)

ALL DIMENSIONS IN (mm), TOLERANCE = LINEAR ± 0.5mm, ANGULAR ± 0.5mm (OR AS STATED). ALL SHARP EDGES TO BE REMOVED FROM SHEET METAL PARTS

Product	DROP-IN RANGE			Product No		 The Catering Equipment Company				
Description	D4HTNG									
Material/Finish	Thickness			Desp/Date						
Legacy P/N	Weight	31kg		Quote No.		Dwg No.	DIP-016815	Issue		
Client				SO Number	N/A	Drawn By	ABB	-		
Client Project				Approved By		Date	15/01/2019			
E & R MOFFAT LTD, SEABEGS ROAD, BONNYBRIDGE, FK4 2BS, T: +44 (0)1324 812272, E: sales@ermoffat.co.uk, Web: www.ermoffat.co.uk						Scale	1 : 20	Sheet	1 / 2	A4

No reproduction or publication of this drawing may be made, and no article may be manufactured or assembled in accordance with this drawing without prior written consent. This prohibition is a term of any contract relating to this drawing. Rights reserved under the Copyright Act 1956 as amended by the Design Copyright Act 1968.