

Moffat Specification

Dimensions

Width - 1486mm
 Depth - 660mm
 Height - 462mm
 Weight - 57kg

Power Rating

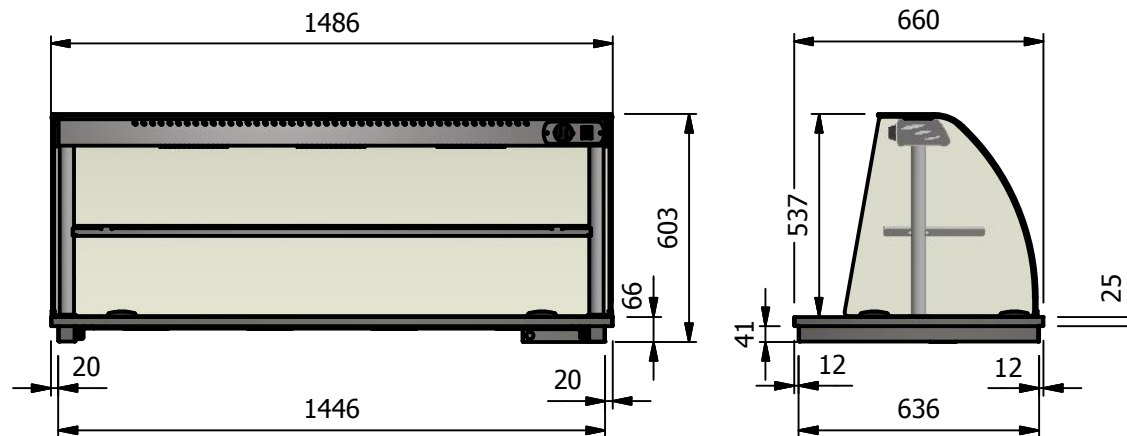
1.380 kw
 complete with a 2m long cord set & 13amp plug

Materials

0.7mm 430 Grade St/Steel Gantry Hood
 1.2mm 304 Grade St/ Steel Top & Supports
 1.2mm 430 Grade St Steel Ancillary Parts
 1.2mm Galvanised Steel Inner Supports
 6mm Tempered Glass
 Neo-Ceram Hot Plates
 Quartz Lamps

Installation

Counter Top Flush Fit Cut Out Dimensions
 1492mm x 666mm x 25mm
 Counter Support Cut Out Dimensions
 1468mm x 642mm



ALL SHEET METAL DIMENSIONS ARE I/S (INSIDE SIZES) (UNLESS OTHERWISE STATED)

ALL DIMENSIONS IN (mm), TOLERANCE = LINEAR ± 0.5mm, ANGULAR ± 0.5mm (OR AS STATED). ALL SHARP EDGES TO BE REMOVED FROM SHEET METAL PARTS

Product	DROP-IN RANGE			Product No			
Description	D4HTD						
Material/Finish	Thickness			Desp/Date			
Legacy P/N	Weight	57kg		Quote No.			
Client				SO Number	N/A		-
Client Project				Approved By			
E & R MOFFAT LTD, SEABEGS ROAD, BONNYBRIDGE, FK4 2BS, T: +44 (0)1324 812272, E: sales@ermoffat.co.uk, Web: www.ermoffat.co.uk				Dwg No.	DIP-022860		Issue
				Drawn By	ABB		-
				Date	15/01/2019		
				Scale	1 : 20		Sheet
						1 / 2	A4

No reproduction or publication of this drawing may be made, and no article may be manufactured or assembled in accordance with this drawing without prior written consent. This prohibition is a term of any contract relating to this drawing. Rights reserved under the Copyright Act 1956 as amended by the Design Copyright Act 1968.

